

**SARAY**<sup>®</sup> | all about **aluminium**



High performing and enduring  
system for calm interiors

# PANORAMA

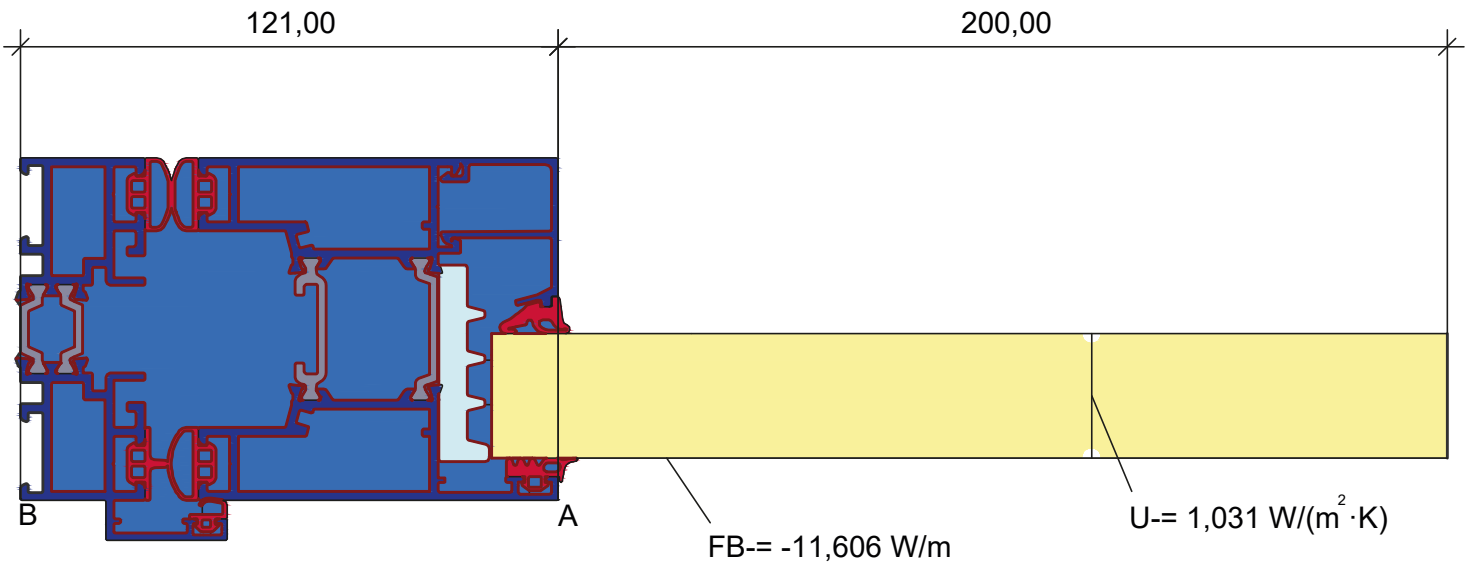
## KATLANIR KAPI SİSTEMİ

### PANORAMA FOLDING DOOR SYSTEM

<b>A</b>	ISI HESAPLARI ve PERFORMANS THERMAL CALCULATIONS and PERFORMANCE .....	A-01 / A-03
<b>B</b>	ALUMİNYUM PROFİLLER ALUMINIUM PROFILES .....	B-01 / B-03
<b>C</b>	CAM MONTAJ TALİMATI GLAZING ASSEMBLY .....	C-01 / C-02
<b>D</b>	CONTALAR GASKETS .....	D-01 / D-02
<b>E</b>	AKSESUARLAR ACCESSORIES .....	E-01 / E-05
<b>F</b>	PLASTİK PROFİLLER PLASTIC PROFILES .....	F-01
<b>G</b>	UYGULANABİLİR AÇILIM TİPLERİ APPLICABLE OPENING TIPOLOGIES .....	G-01 / G-03
<b>H</b>	TAM ÖLÇEKLİ PROFİLLER FULL SCALE PROFILES.....	H-01 / H-08
<b>J</b>	PRENSİP SİSTEM DETAYLARI PRINCIPAL SECTIONS .....	J-01 / J-24
<b>K</b>	ÜRETİM TALİMATLARI MANUFACTURING INSTRUCTIONS.....	H-01 / H-25

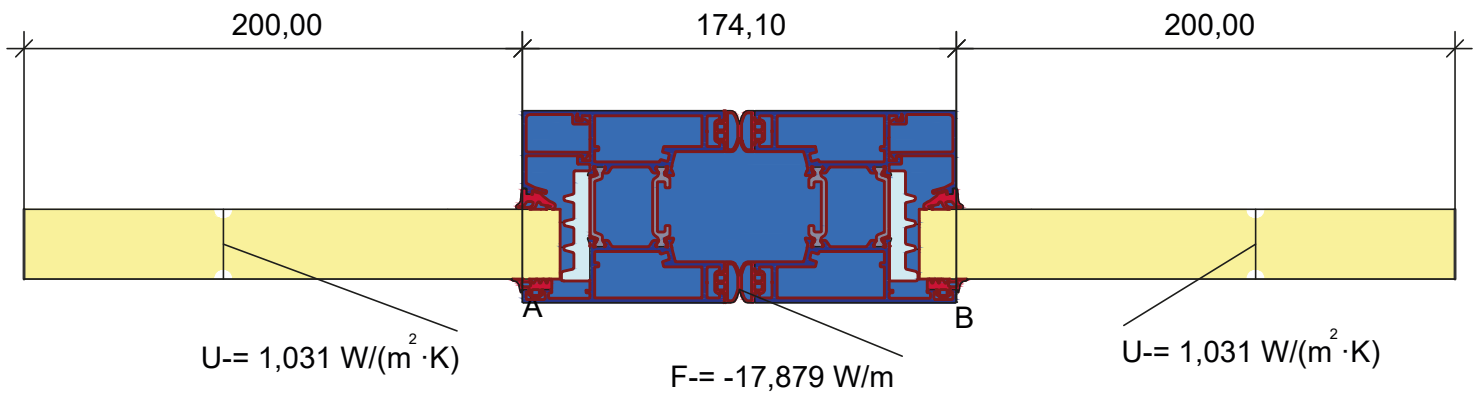
**PANORAMA**  
**KATLANIR KAPI SİSTEMİ**  
PANORAMA FOLDING DOOR SYSTEM

**ISI HESAPLARI ve PERFORMANS**  
**THERMAL CALCULATIONS**  
**and PERFORMANCE**



$$U_{f,A,B} = \frac{\frac{\Phi}{DT} \cdot b_p}{b_f} = \frac{\frac{11,606}{20,000} - 1,031 \cdot 0,200}{0,121} = 3,09 \text{ W/(m} \cdot \text{K)}$$

Material	$\lambda$ [W/(m·K)]	$\epsilon$	Boundary Condition	$q$ [W/m²]	$T_c$ [°C]	$R$ [(m·K)²/W]	$\epsilon$
Aluminium (Si Alloys)	160,000	0,900	Epsilon 0.9				0,900
EPDM (ethylene propylene diene monomer)	0,250	0,900	Exterior, frame	0,000		0,040	
Panel	0,035	0,900	Interior, frame, normal	20,000		0,130	
Polyamid 6.6 with 25% glass fibre	0,300	0,900	Interior, frame, reduced	20,000		0,200	
Unventilated air cavity	anisotropic		Symmetry/Model section	0,000			
pe sungar	0,038	0,900					

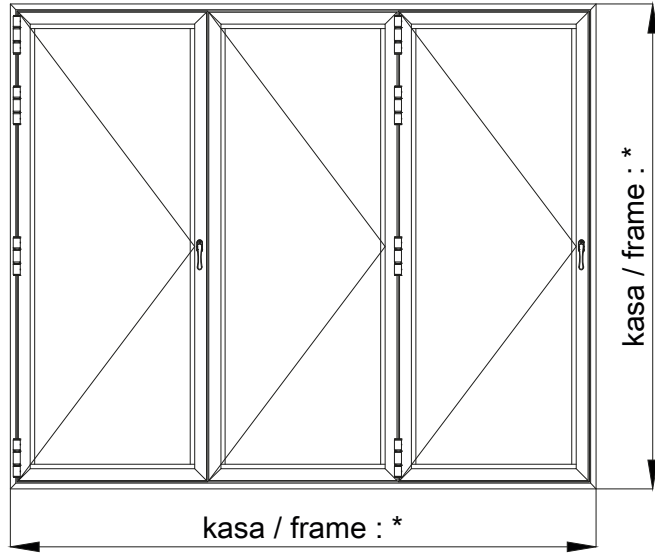


$$U_{f,A,B} = \frac{\Phi}{DT} = \frac{17,879}{20,000} - \frac{1,031 \cdot 0,200 - 1,031 \cdot 0,200}{0,174} = 2,77 \text{ W}/(\text{m}^2 \cdot \text{K})$$

Material	$l$ [W/(m·K)]	$\epsilon$	Boundary Condition	$q$ [W/m <sup>2</sup> ]	$C$ [°C]	$R$ [(m·K) <sup>2</sup> /W]	$\epsilon$
Aluminium (Si Alloys)	160,000	0,900	Epsilon 0.9				0,900
EPDM (ethylene propylene diene monomer)	0,250	0,900	Exterior, frame	0,000		0,040	
Panel	0,035	0,900	Interior, frame, normal	20,000		0,130	
Polyamid 6.6 with 25% glass fibre	0,300	0,900	Interior, frame, reduced	20,000		0,200	
Unventilated air cavity	anisotropic		Symmetry/Model section	0,000			
pe sunger	0,038	0,900					

# PANORAMA KATLANIR KAPI SİSTEMİ PANORAMA FOLDING DOOR SYSTEM

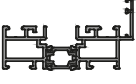
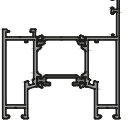
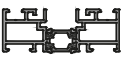
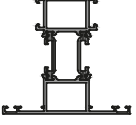
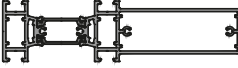
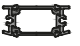
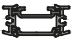
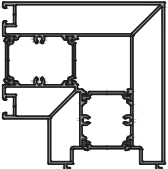

## PERFORMANS TESTİ - performance test













TS EN 12207 - HAVA GEÇİRGENLİĞİ TS EN 12207 - air permability	*
TS EN 12208 - SU SIZDIRMAZLIĞI TS EN 12208 - water tightness	*
TS EN 12210 - RÜZGAR YÜKÜ DAYANIMI TS EN 12210 - resistance to design wind load	*
LABORATUAR ve TEST RAPORU NUMARASI Laboratory and test report number	* *



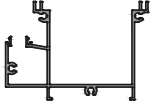



**PANORAMA**  
**KATLANIR KAPI SİSTEMİ**  
PANORAMA FOLDING DOOR SYSTEM

**ALUMİNYUM PROFİLLER**  
ALUMINIUM PROFILES

PROFİL ŞEKLİ PROFILE SECTION	PROFİL ADI PROFILE NO	KALIP KODU DIE NO	PROFİL TANIMI PROFILE DESCRIPTION	AĞIRLIK WEIGHT
	P 3000	19152 + 19153	KASA PROFİLİ frame profile	1,872kg/mt
	P 3001	19151 + 19150	KANAT PROFİLİ Sash Profile	2,260kg/mt
	P 3002	19152 + 19152	KASA PROFİLİ frame profile	1,690kg/mt
	P 3003	* + *	ORTA KAYIT PROFİLİ Mullion Profile	1,905kg/mt
	P 3004	* + *	TAKVİYELİ ORTA KAYIT PROFİLİ Mullion Profile With Reinforcement	3,120kg/mt
	P 3005	19370 + 19370	ADAPTÖR PROFİLİ adapter profile	0,700kg/mt
	P 3006	19370 + 19370	ADAPTÖR PROFİLİ adapter profile	0,740kg/mt
	P 3007	* + *	90° KÖŞE ADAPTÖR PROFİLİ 90° Corner Adapter Profile	3,960kg/mt
	P 1495	15307	6mm CAM ÇİTASI 6mm glazing bead profile	0,270kg/mt

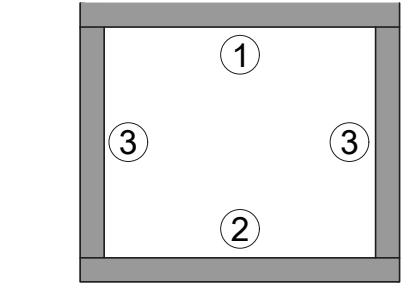
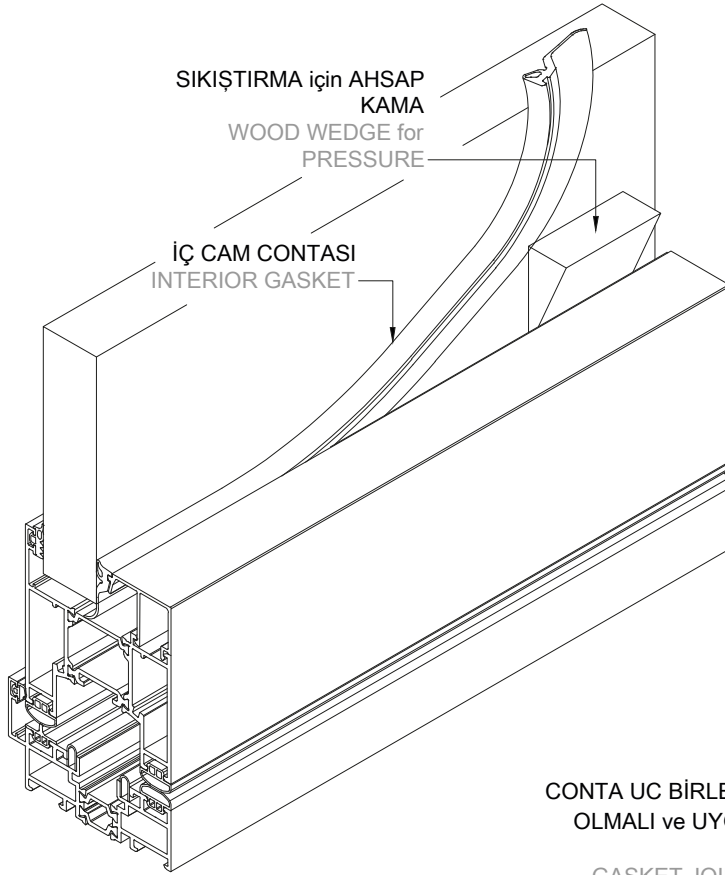


PROFİL ŞEKLİ PROFILE SECTION	PROFİL ADI PROFILE NO	KALIP KODU DIE NO	PROFİL TANIMI PROFILE DESCRIPTION	AĞIRLIK WEIGHT
	P 1494	15306	10mm CAM ÇITASI 10mm glazing bead profile	0,325kg/mt
	P 1176	13698	14mm CAM ÇITASI 14mm glazing bead profile	0,335kg/mt
	P 1179	13671	18mm CAM ÇITASI 18mm glazing bead profile	0,350kg/mt
	P 2167	17976	22mm CAM ÇITASI 22mm glazing bead profile	0,355kg/mt
	P 1180	13670	27mm CAM ÇITASI 27mm glazing bead profile	0,380kg/mt
	P 1158	13111	31mm CAM ÇITASI 31mm glazing bead profile	0,365kg/mt
	P 1498	15310	36mm CAM ÇITASI 36mm glazing bead profile	0,415kg/mt
	P 1497	15309	40mm CAM ÇITASI 40mm glazing bead profile	0,435kg/mt
	P 3019	19311	ADAPTÖR PROFİLİ adapter profile	0,330kg/mt
	P 3018	19154	ADAPTÖR PROFİLİ adapter profile	0,250kg/mt

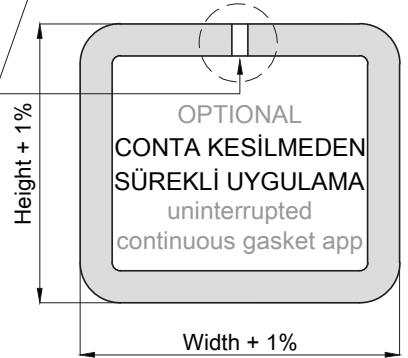
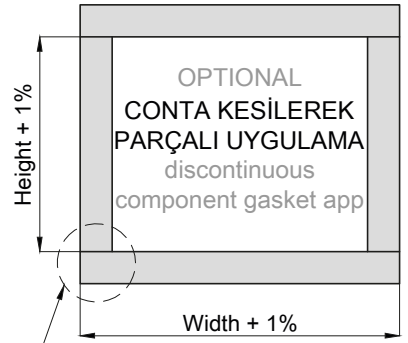
PROFİL ŞEKLİ PROFILE SECTION	PROFİL ADI PROFILE NO	KALIP KODU DIE NO	PROFİL TANIMI PROFILE DESCRIPTION	AĞIRLIK WEIGHT
	P 3020	*	ADAPTÖR PROFİLİ Adapter profile	0,595kg/mt
	P 3022	*	EŞİK PROFİLİ Threshold Profile	1,235kg/mt
	P 2328	18839	SU KANALI PROFİLİ Water channel Profile	1,530kg/mt
	P 2327	18838	ÜST IZGARA PROFİLİ Top grille profile	0,635kg/mt
	P 1163	4292-A	KÖŞE TAKOZ PROFİLİ Corner cleat profil	3,750kg/mt
	P 3023	*	KÖŞE TAKOZ PROFİLİ Corner cleat profil	4,590kg/mt

**PANORAMA**  
**KATLANIR KAPI SİSTEMİ**  
PANORAMA FOLDING DOOR SYSTEM

**CAM MONTAJ TALİMATI**  
GLAZING ASSEMBLY



CAM ÇITASI MONTAJ SIRALAMASI  
GLAZING BEAD ASSEMBLY SEQUENC



CONTA UC BİRLEŞİMLERİ ÜSTTE OLMALI ve UYGUN MASTİK İLE YAPIŞTIRILMALI  
GASKET JOINT ON THE TOP, BOND WITH EPDM GLUE.

### ① CAM TAKOZU

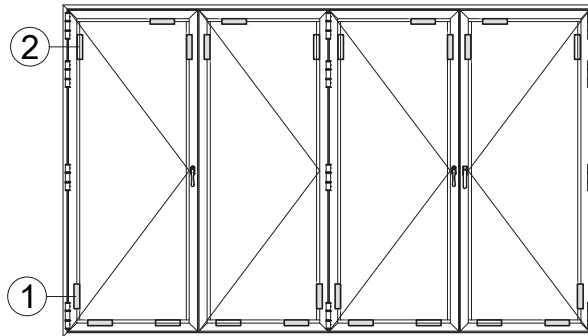
Cam takozları yerleşimi altta bulunan sematik çizimde gösterilmiştir. takozların kenara mesafeleri kanat ölçüsünün 5/1 i yada 10/1 i kadar olmalıdır.  
GLASS CLEATS

The assembly of glass reinforcement pieces has been showed at the top schematically. The gap distance to the corner should be, the 5/1 or 10/1 of the sash size.

### ② MESAFE AYARLAMA TAKOZU

Mesafe ayar takozları camın alüminyum çerçeve içinde doğru pozisyonda stabil olarak durmasını sağlar.  
DISTANCE ADJUSTMENT PIECE

Distance adjustment pieces stabilize the glass in the frame at the true position. Put the distance adjustment piece between glass and profile without using force.



AKSESUAR ve DONANIM MONTAJINDAN ÖNCE,  
CAM ve TAKOZLAMA İŞLEMİ YAPILMALIDIR.

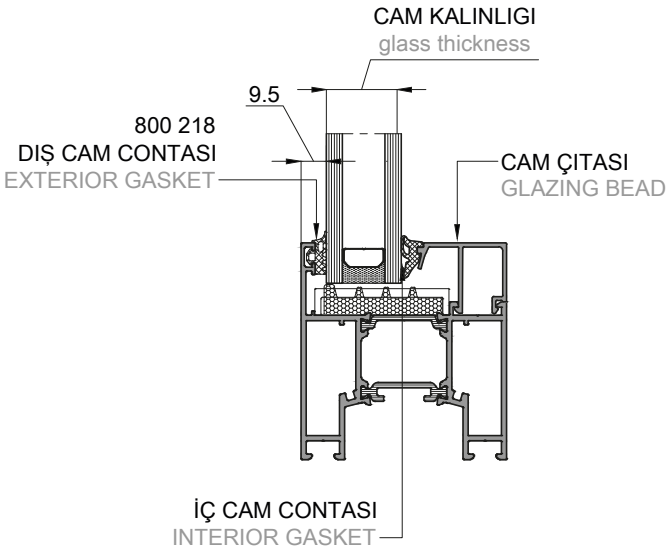
THE PANE MUST BE SHIMMED IN THE SASH SO THAT THE SASH OPERATES WITHOUT ADJUSTMENT OF THE HARDWARE.

① TAŞIYICI TAKOZ  
GLASS CLEAT

② AYAR TAKOZU  
ADJUSTMENT PIECE

CAM KALINLIĞI glass thickness	ÇİTA glazing bead		CAM CONTASI glazing gasket	
	profil section	kod code	perdeli conta with fin gasket	standart conta without fin gasket
16mm	P 1497 (40mm) 40		800 252 (8mm)	800 277 (8mm)
18mm			800 233 (6mm)	800 271 (6mm)
20mm	P 1498 (36mm) 36		800 252 (8mm)	800 277 (8mm)
22mm			800 233 (6mm)	800 271 (6mm)
24mm	P 1158 (31mm) 31		800 296 (10mm)	800 278 (10mm)
26mm			800 252 (8mm)	800 277 (8mm)
28mm			800 233 (6mm)	800 271 (6mm)


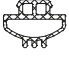






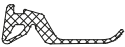

CAM KALINLIĞI glass thickness	ÇİTA glazing bead		CAM CONTASI glazing gasket	
	profil section	kod code	perdeli conta with fin gasket	standart conta without fin gasket
30mm	P 1180 (27mm) 27		800 252 (8mm)	800 277 (8mm)
32mm			800 233 (6mm)	800 271 (6mm)
34mm	P 2167 (22mm) 22		800 252 (8mm)	800 277 (8mm)
36mm			800 233 (6mm)	800 271 (6mm)
38mm	P 1179 (18mm) 18		800 252 (8mm)	800 277 (8mm)
40mm			800 233 (6mm)	800 271 (6mm)
42mm	P 1176 (14mm) 14		800 252 (8mm)	800 277 (8mm)
44mm			800 233 (6mm)	800 271 (6mm)
46mm	P 1494 (10mm) 10		800 252 (8mm)	800 277 (8mm)
48mm			800 233 (6mm)	800 271 (6mm)
50mm	P 1495 (6mm) 6		800 252 (8mm)	800 277 (8mm)
52mm			800 233 (6mm)	800 271 (6mm)



Yanda tablodaki veriler teoriktir.  
Lütfen cam ve conta toleranslarını dikkate alınız.  
selection tables promise a first planning.  
Please keep the glass and gasket tolerances in mind.

**PANORAMA**  
**KATLANIR KAPI SİSTEMİ**  
PANORAMA FOLDING DOOR SYSTEM

**CONTALAR**  
GASKETS

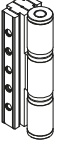
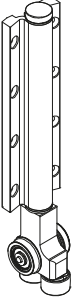

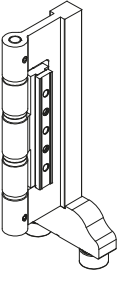
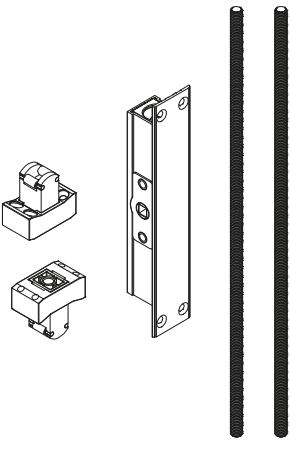
CONTA ŞEKLİ GASKET SECTION	CONTA KODU GASKET NO	MALZEME MATERIAL	CONTA TANIMI GASKET DESCRIPTION	PAKET PACKAGE
	800 101	EPDM	BİNİ CONTASI overlap gasket	260mt/pk 0,057kg/mt
	800 103	EPDM	BİNİ CONTASI overlap gasket	372mt/pk 0,035kg/mt
	800 104	EPDM	KANAL KAPATMA CONTASI channel closing gasket	245mt/pk 0,061kg/mt
	800 105	EPDM	BİNİ CONTASI overlap gasket	210mt/pk 0,071kg/mt
	800 218	EPDM	DIŞ CAM CONTASI exterior glazing gasket	188mt/pk 0,069kg/mt
	800 271	EPDM	6mm İÇ CAM CONTASI 6mm interior glazing gasket	192mt/pk 0,078kg/mt
	800 277	EPDM	8mm İÇ CAM CONTASI 8mm interior glazing gasket	150mt/pk 0,100kg/mt
	800 278	EPDM	10mm İÇ CAM CONTASI 10mm interior glazing gasket	120mt/pk 0,125kg/mt
	800 233	EPDM	6mm PERDELİ İÇ CAM CONTASI 6mm interior glazing gasket	125mt/pk 0,120kg/mt
	800 252	EPDM	8mm PERDELİ İÇ CAM CONTASI 8mm interior glazing gasket	100mt/pk 0,150kg/mt

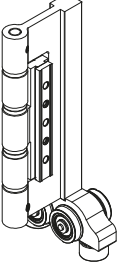
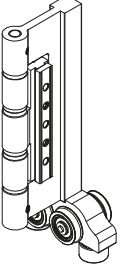
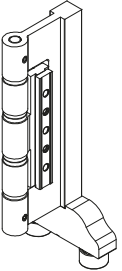
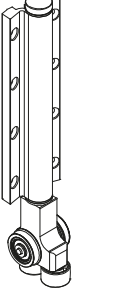
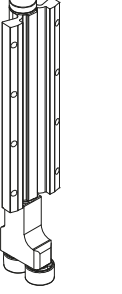
CONTA ŞEKLİ GASKET SECTION	CONTA KODU GASKET NO	MALZEME MATERIAL	CONTA TANIMI GASKET DESCRIPTION	PAKET PACKAGE
	800 296	EPDM	10mm PERDELİ İÇ CAM CONTASI 10mm interior glazing gasket	90mt/pk 0,165kg/mt
	800 111	EPDM	İZOLASYON CONTASI insulation gasket	270mt/pk 0,055kg/mt
	800 112	EPDM	BİNİ CONTASI overlap gasket	360mt/pk 0,033kg/mt
	800 113	EPDM	BİNİ CONTASI overlap gasket	290mt/pk 0,051kg/mt

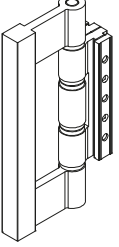

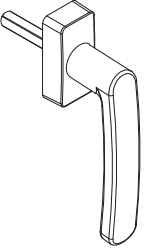
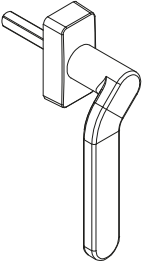
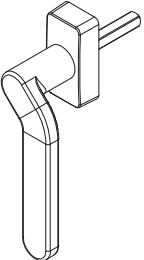




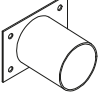
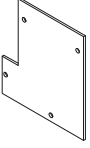
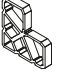


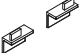

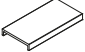
**PANORAMA**  
**KATLANIR KAPI SİSTEMİ**  
PANORAMA FOLDING DOOR SYSTEM

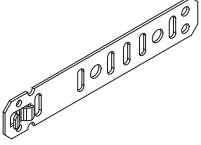
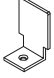
**AKSESUARLAR**  
ACCESSORIES

	AKSESUAR ACCESS. NO	AKSESUAR TANIMI ACCESSORIES DESCRIPTION	MİKTAR QUANTITY
	702 201	ARA MENTEŞE Hingle	1 adet/pieces
	702 202	SON (ALT) TAŞIYICI ARABA End carriage (100 KG)	1 adet/pieces
	702 203	SON (ÜST) KLAUZ MENTEŞE End carriage (100 KG)	1 adet/pieces
	702 204	ÜST KLAUZ MENTEŞE Top guide hinge	1 adet/pieces
	702 205	KİTLEME SETİ Locking set	1 adet/pieces

AKSESUAR ŞEKLİ ACCESSORIES SHAPE	AKSESUAR ACCESS. NO	AKSESUAR TANIMI ACCESSORIES DESCRIPTION	MİKTAR QUANTITY
	702 206	ALT TAŞIYICI ARABA Lower carrier roller (100 kg)	1 adet/pieces
	702 207	ALT TAŞIYICI ARABA Lower carrier roller (150 kg)	1 adet/pieces
	702 208	ÜST KLAUZ MENTEŞE Top guide hinge (150 KG)	1 adet/pieces
	702 209	SON (ALT) TAŞIYICI ARABA End carriage (150 KG)	1 adet/pieces
	702 210	SON (ÜST) KLAUZ MENTEŞE End carriage (150 KG)	1 adet/pieces

AKSESUAR ŞEKLİ ACCESSORIES SHAPE	AKSESUAR ACCESS. NO	AKSESUAR TANIMI ACCESSORIES DESCRIPTION	MİKTAR QUANTITY
	702 220	ÇEKME KOL Handle	1 adet/pieces
	702 211	130mm MINIMAL KOL 130mm handle	1 adet/pieces
	700 830	140mm DÜZ KOL(90°Stoplamalı) 140mm handle(90° stopping)	1 adet/pieces
	700 832	SOLA KIVRIK KOL To the left curled handle	1 adet/pieces
	700 833	SAĞA KIVRIK KOL To the right curled handle	1 adet/pieces

AKSESUAR ŞEKLİ ACCESSORIES SHAPE	AKSESUAR ACCESS. NO	AKSESUAR TANIMI ACCESSORIES DESCRIPTION	MİKTAR QUANTITY
	702 214	SU TAHLİYE KAPAGI Water drain hole cap	100 adet/pieces
	702 215	PVC ONBAŞI Corner angle	50 adet/pieces
	700 989	SU BORUSU BAĞLANTISI Water pipe connection	20 adet/pieces
	700 988	SU KANALI PROFİLİ UC KAPAKLARI End dam for water channel profile	20 adet/pieces
	702 216	KÖŞE TAKOZU Corner cleat	20 adet/pieces
	702 217	KÖŞE TAKOZU Corner cleat	20 adet/pieces
	702 218	ORTA KAYIT T BİRLEŞİM ÖN ve ARKA PARÇASI T connecting bracket for mullion	20 adet/pieces
	702 219	ADAPTÖR ALT ve ÜST KAPAGI Pvc cap adapter	50 çift/pair
	702 212	İNOX RAY Stainless steel rail	30mt (3mt X 10pcs)
	702 213	CAM TAKOZU Glass support	20 adet/pieces

AKSESUAR ŐEKLİ ACCESSORIES SHAPE	AKSESUAR ACCESS. NO	AKSESUAR TANIMI ACCESSORIES DESCRIPTION	MİKTAR QUANTITY
	700 773	2mm GALVANİZLİ ANKRAJ 2mm galvanize strap anchor	20 adet/pieces
	702 291	EŐİK PROFİL BAĐLANTI PARÇASI L connecting bracket for Threshold	20 adet/pieces

**PANORAMA**  
**KATLANIR KAPI SİSTEMİ**  
PANORAMA FOLDING DOOR SYSTEM

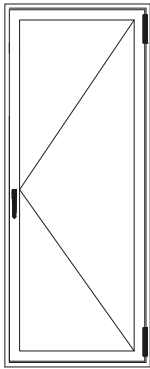
**PLASTİK PROFİLLER**  
PVC PROFILES

PROFİL ŞEKLİ PROFILE SECTION	PROFİL KODU PROFILE NO	MALZEME MATERIAL	PROFİL TANIMI PROFILE DESCRIPTION	PAKET PACKAGE
 0,070kg/mt	600 429	POLYAMİD	POLYAMİD TİJ PROFİLİ polyamide rod profile	6mt 25ad/pk

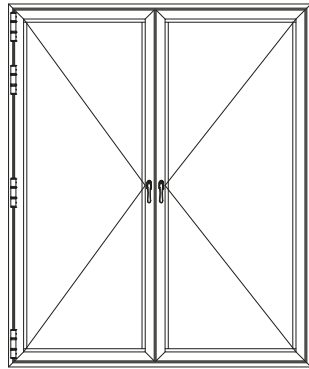
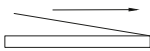


**PANORAMA**  
**KATLANIR KAPI SİSTEMİ**  
PANORAMA FOLDING DOOR SYSTEM

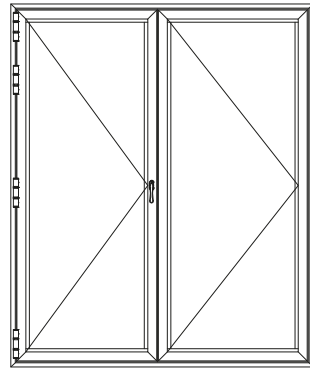
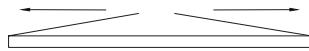
**UYGULANABİLİR AÇILIM TİPLERİ**  
APPLICABLE OPENING TIPOLOGIES



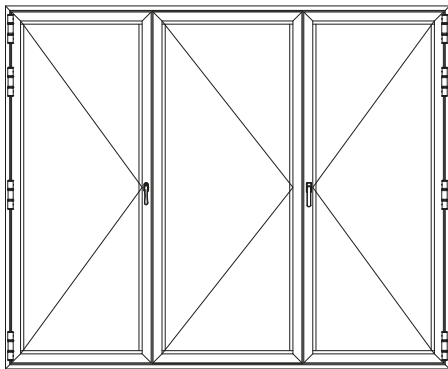
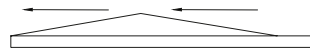
01



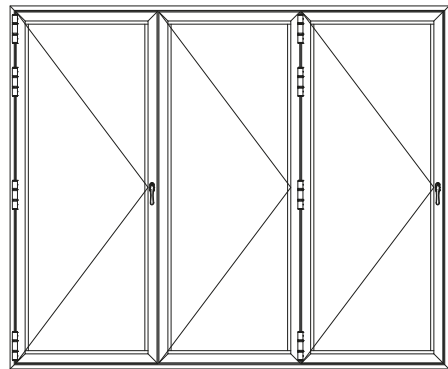
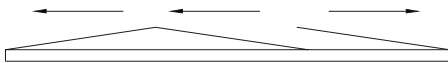
02



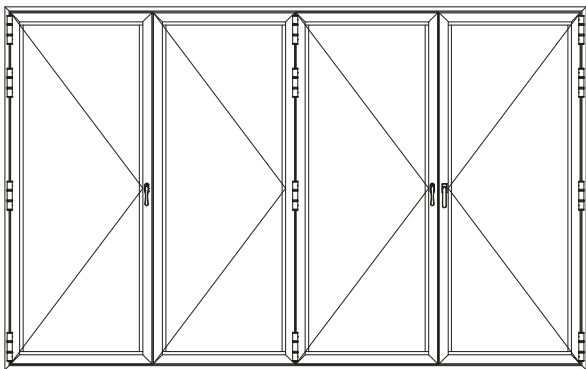
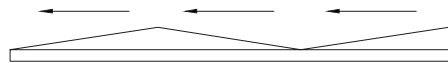
03



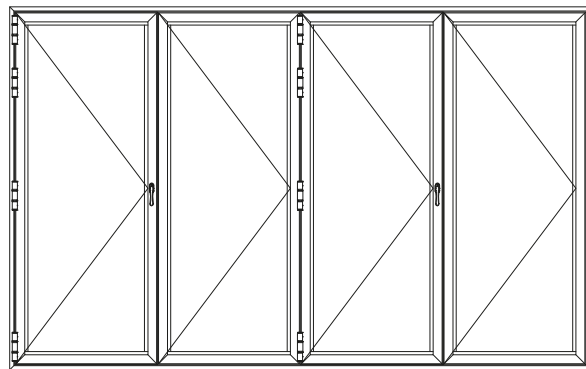
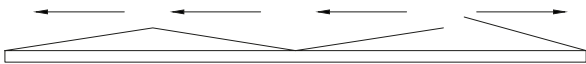
04



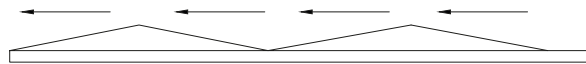
05

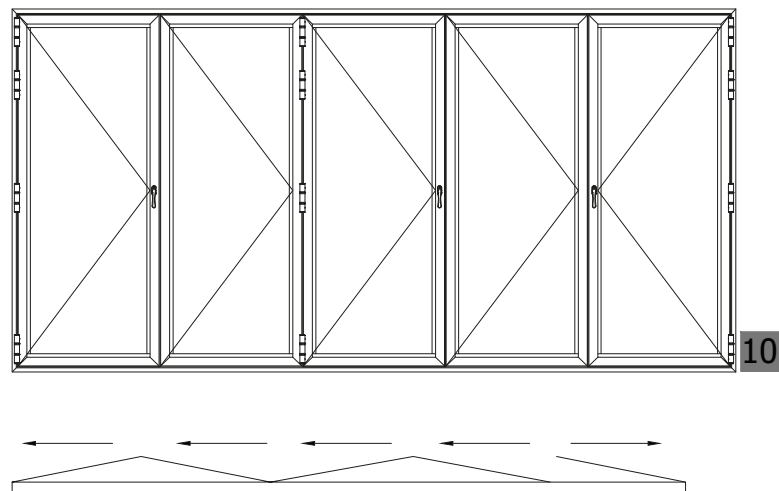
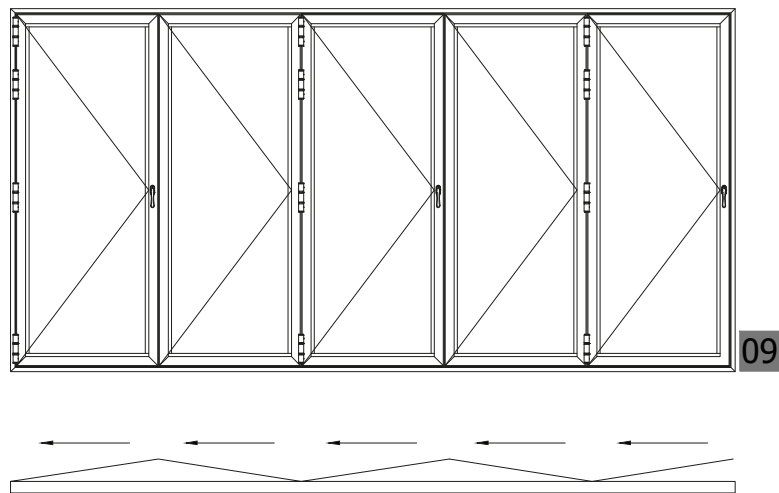
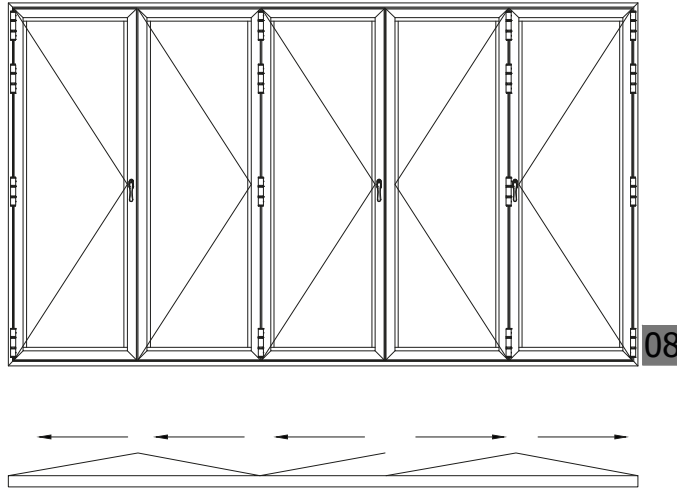


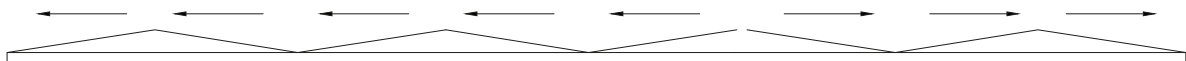
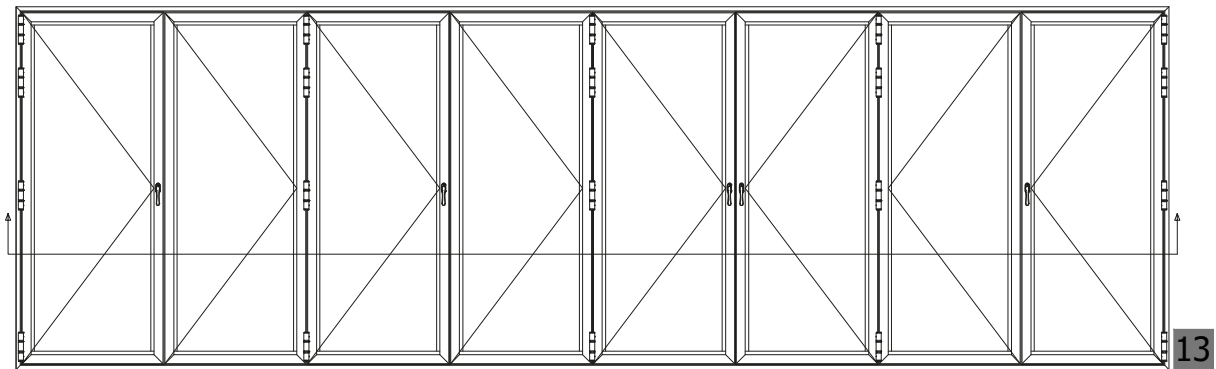
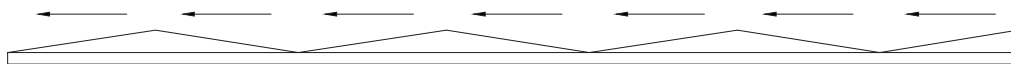
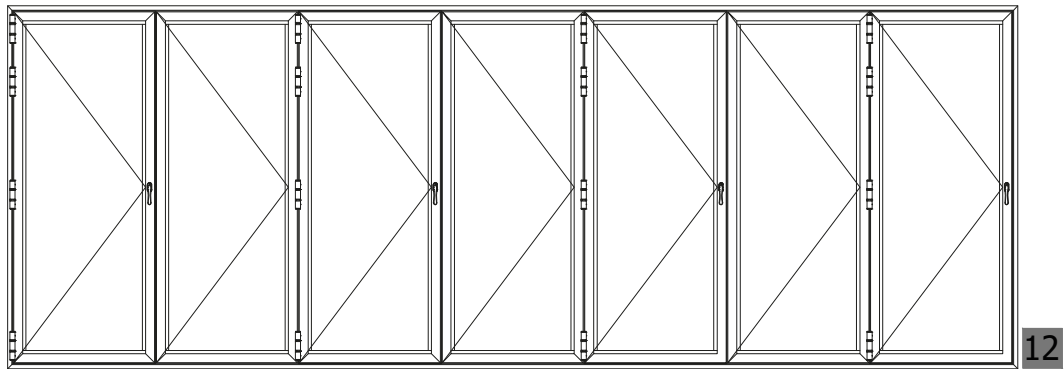
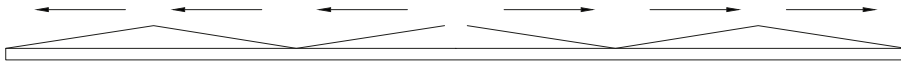
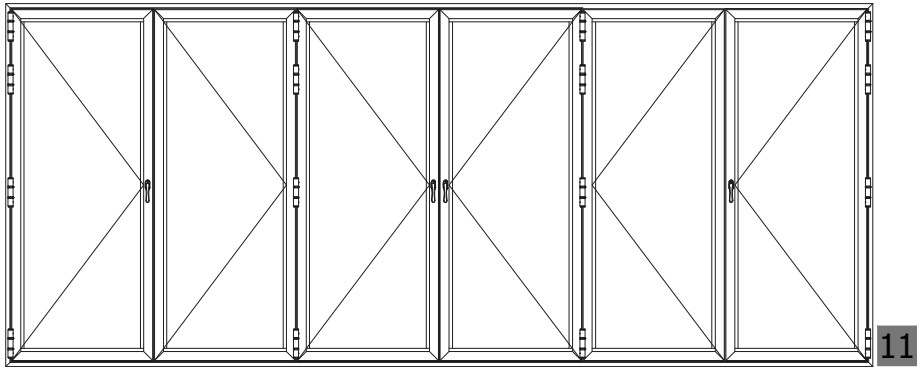
06



07





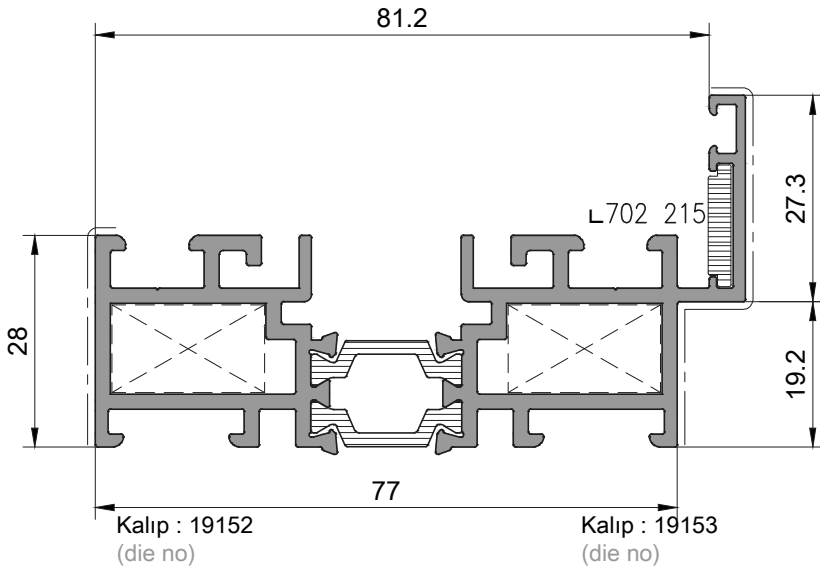


**PANORAMA**  
**KATLANIR KAPI SİSTEMİ**  
PANORAMA FOLDING DOOR SYSTEM

**TAM ÖLÇEKLİ ALUMİNYUM PROFİLLER**  
FULL SCALE ALUMINIUM PROFILES

**P 3000**

Kasa Profili / 1,872 kg/mt  
Frame Profile

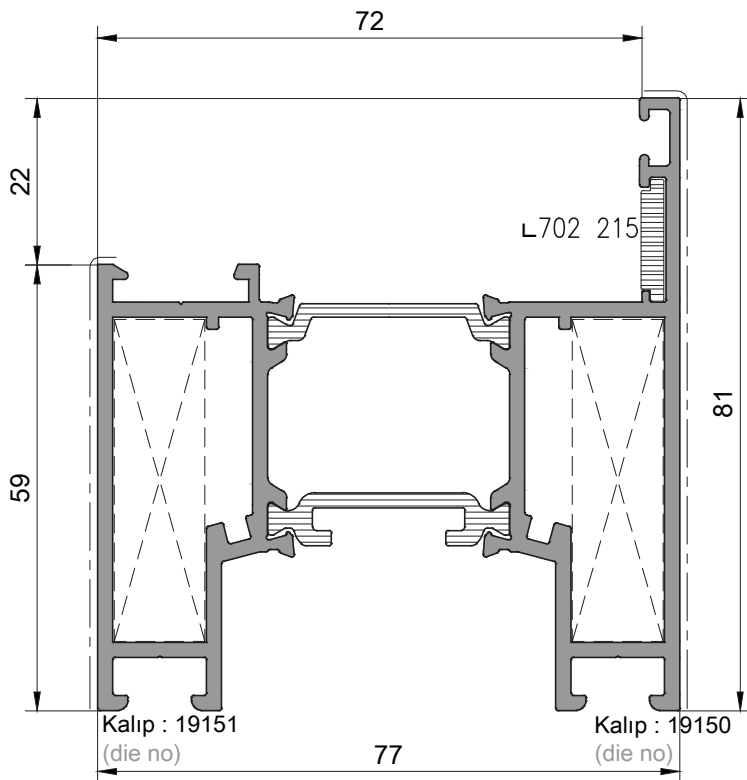


ix )  
41.04 cm<sup>4</sup>

ly )  
5.90 cm<sup>4</sup>

**P 3001**

Kanat Profili / 2,260 kg/mt  
Sash Profile

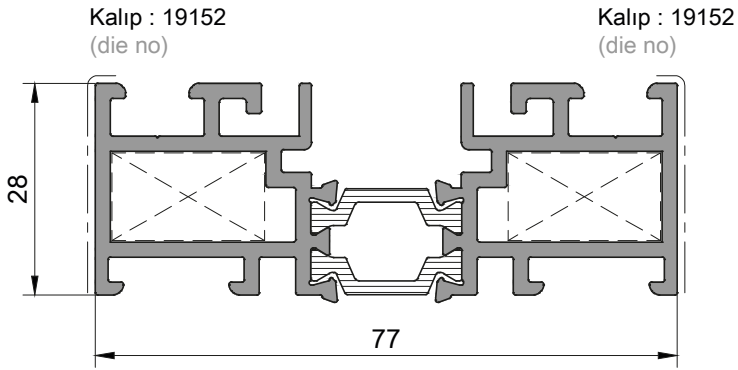


ix )  
51.70 cm<sup>4</sup>

ly )  
29.17 cm<sup>4</sup>

### P 3002

Kasa Profili / 1,690 kg/mt  
Frame Profile



$I_x$

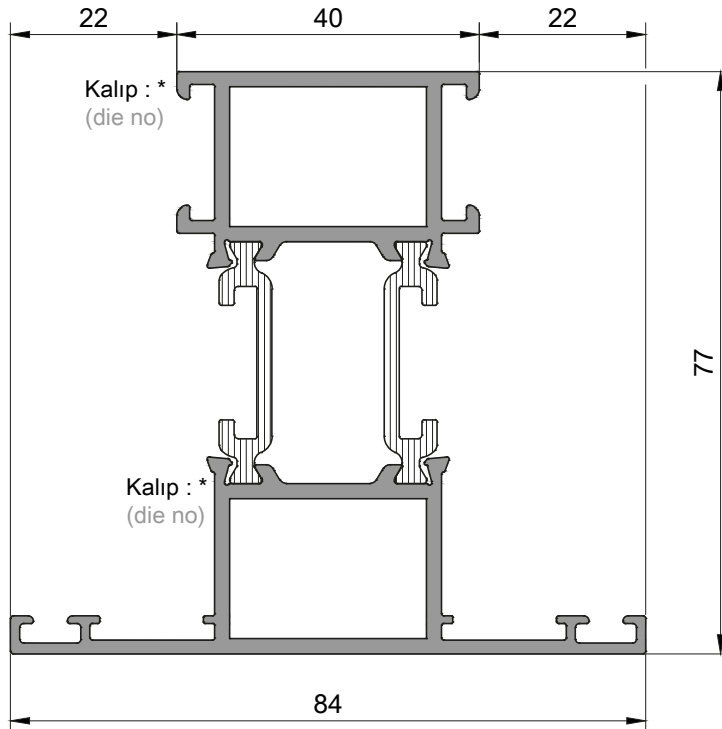
30.08 cm<sup>4</sup>

$I_y$

4.17 cm<sup>4</sup>

### P 3003

Orta Kayıt Profili / 1,905kg/mt  
Mullion Profile



$I_x$

43.72 cm<sup>4</sup>

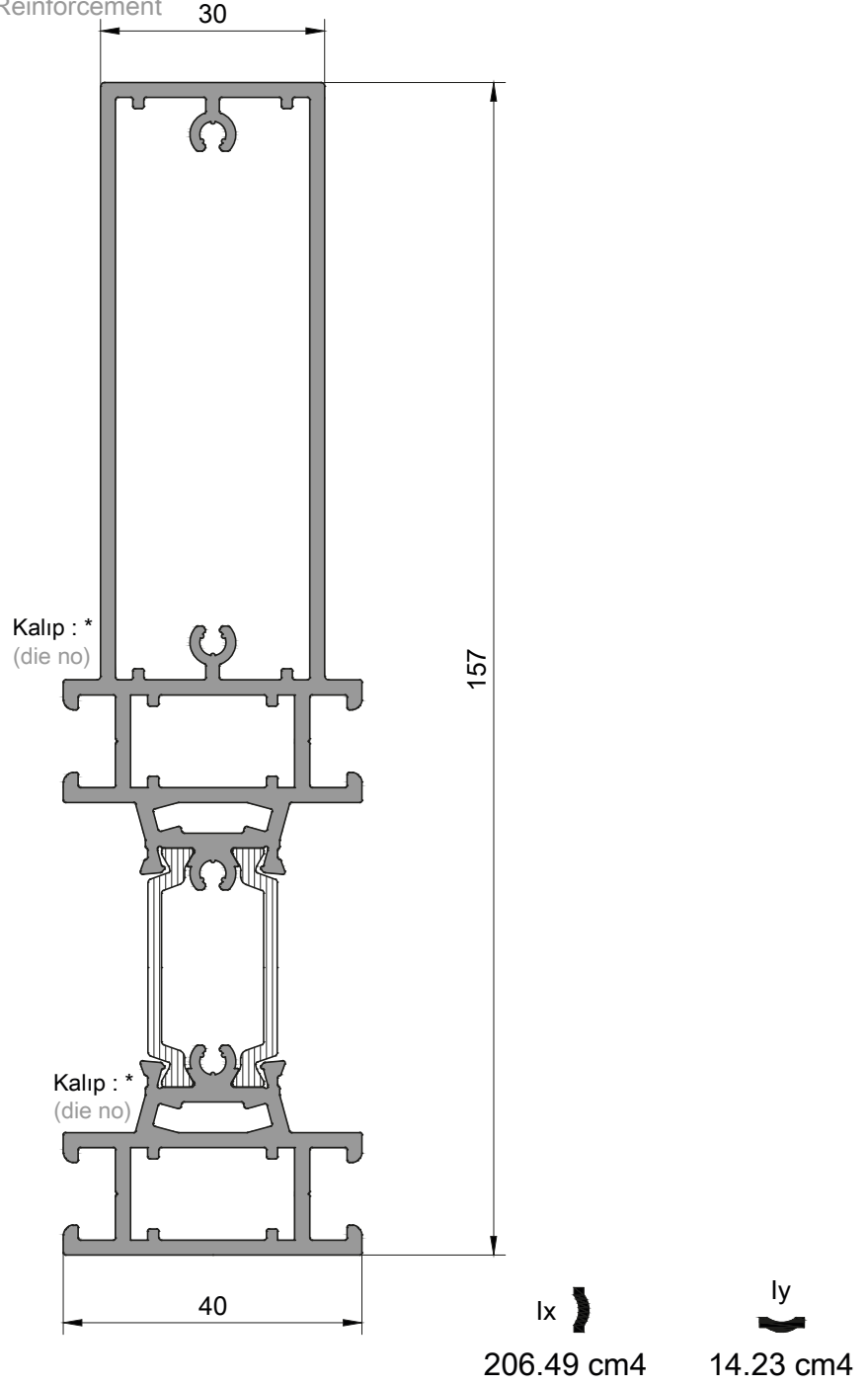
$I_y$

17.93 cm<sup>4</sup>

## P 3004

Takviyeli Orta Kayıt Profili / 3,120kg/mt

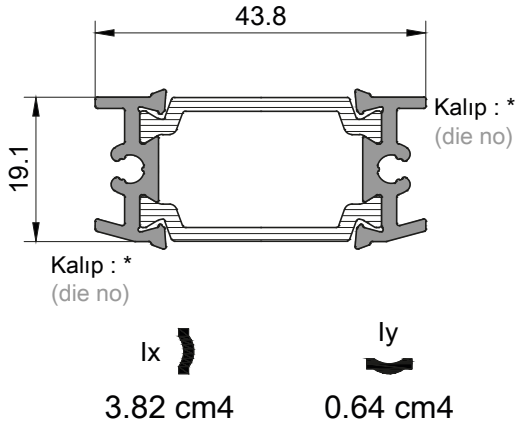
Mullion Profile With Reinforcement





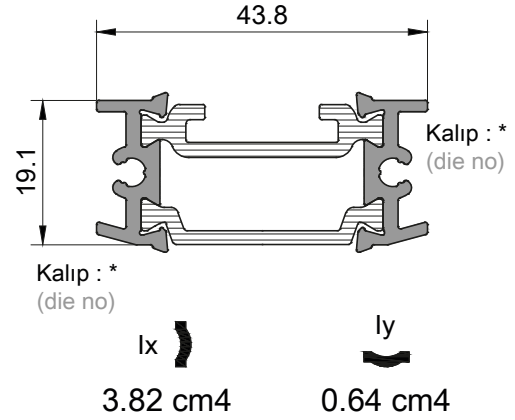
**P 3005**

Adaptör Profili / 0,700 kg/mt  
Adapter Profile



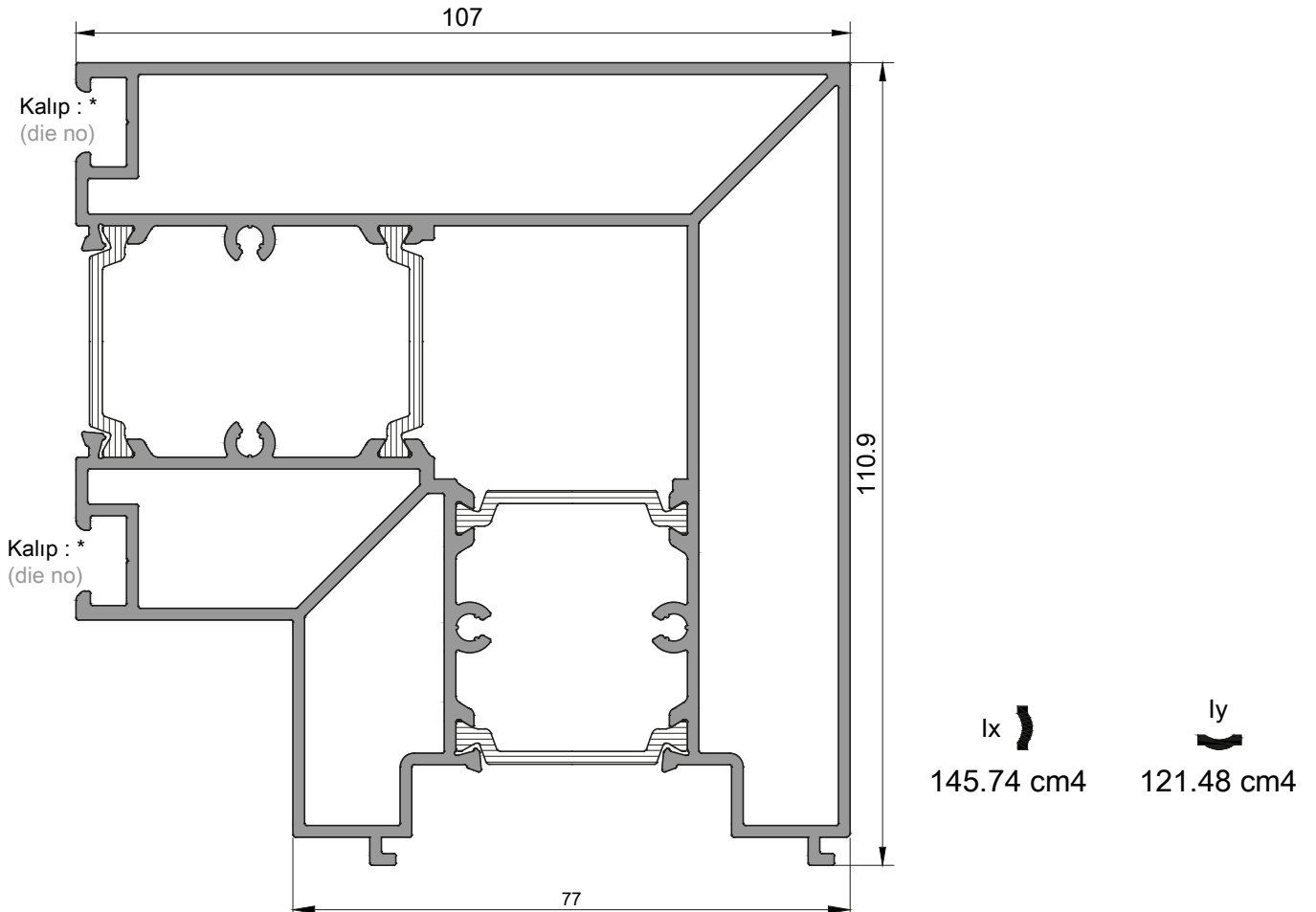
**P 3006**

Adaptör Profili / 0,740 kg/mt  
Adapter Profile



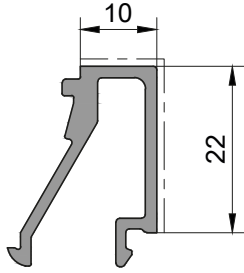
**P 3007**

90° Köşe Adaptör Profili / 3,960 kg/mt  
90° Corner Adapter Profile



### P 1494

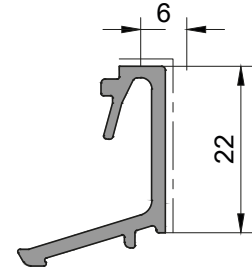
Çıta Profili / 0,325kg/mt  
Glazing Bead Profile



Kalıp : 15306  
(die no)

### P 1495

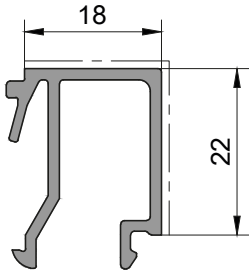
Çıta Profili / 0,270kg/mt  
Glazing Bead Profile



Kalıp : 15307  
(die no)

### P 1179

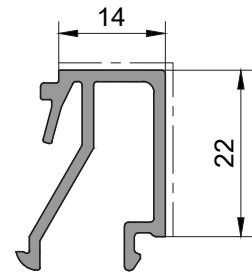
Çıta Profili / 0,350kg/mt  
Glazing Bead Profile



Kalıp No : 13671  
(die no)

### P 1176

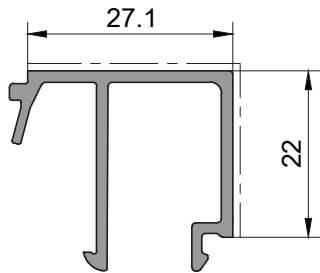
Çıta Profili / 0,335kg/mt  
Glazing Bead Profile



Kalıp No : 13698  
(die no)

### P 1180

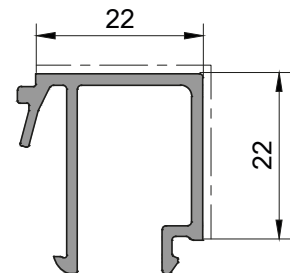
Çıta Profili / 0,380kg/mt  
Glazing Bead Profile



Kalıp No : 13670  
(die no)

### P 2167

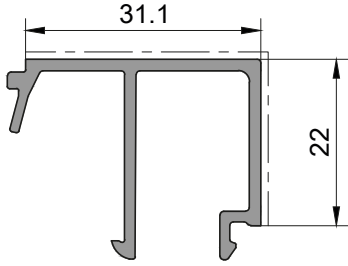
Çıta Profili / 0,355kg/mt  
Glazing Bead Profile



Kalıp No : 17976  
(die no)

### P 1158

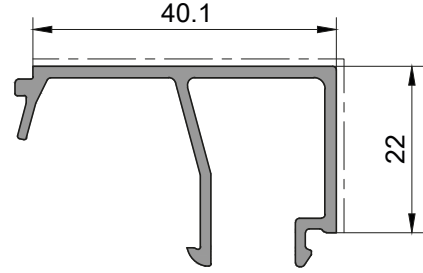
Çıta Profili / 0,365kg/mt  
Glazing Bead Profile



Kalıp No : 13111  
(die no)

### P 1497

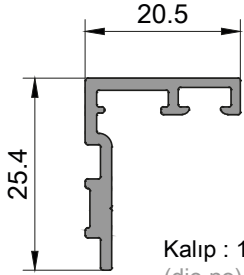
Çıta Profili / 0,435kg/mt  
Glazing Bead Profile



Kalıp : 15309  
(die no)

### P 3018

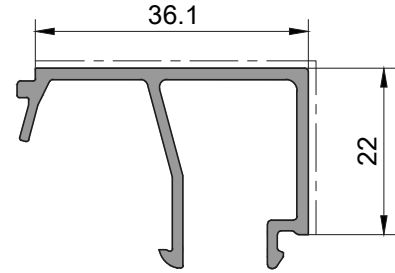
Adaptör profili / 0,250 kg/mt  
Adapter Profile



Kalıp : 19154  
(die no)

### P 1498

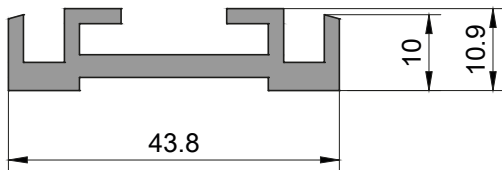
Çıta Profili / 0,415kg/mt  
Glazing Bead Profile



Kalıp : 15310  
(die no)

### P 3020

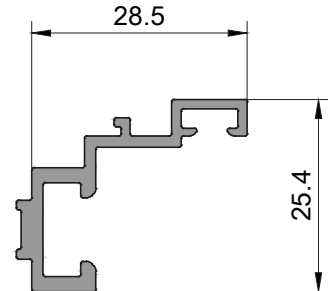
Adapter profili / 0,595 kg/mt  
Adapter Profile



Kalıp : \*  
(die no)

### P 3019

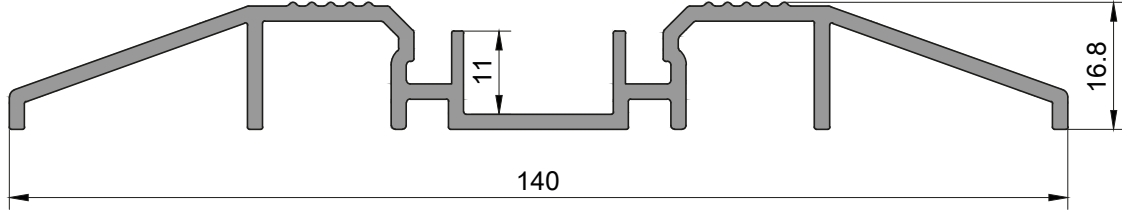
Adaptör profili / 0,330 kg/mt  
Adapter Profile



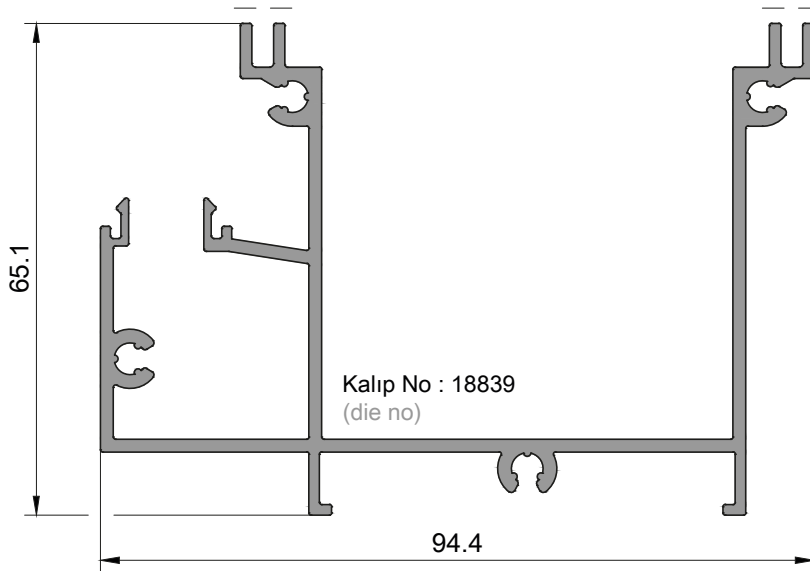
Kalıp : 19311  
(die no)

### P 3022

Eşik profili / 1,235 kg/mt  
Threshold Profile



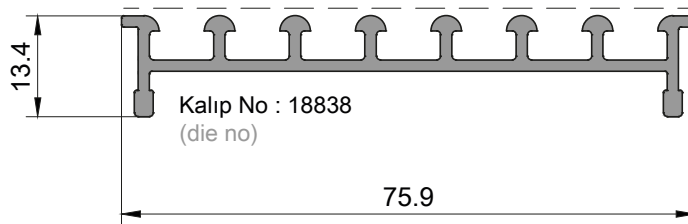
Kalıp : \*  
(die no)



### P 2328

Su Kanalı Profili  
Water channel Profile  
1,530kg/mt

Kalıp No : 18839  
(die no)



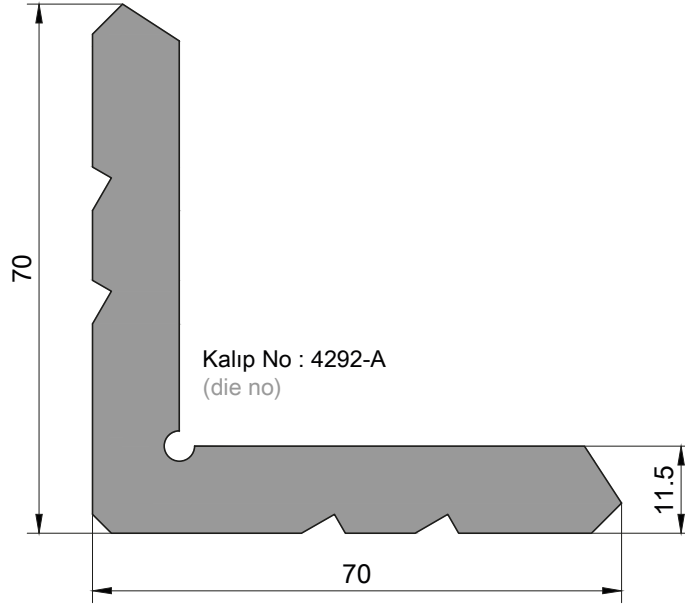
### P 2327

Üst Izgara Profili  
top grille profile  
0,635kg/mt

Kalıp No : 18838  
(die no)

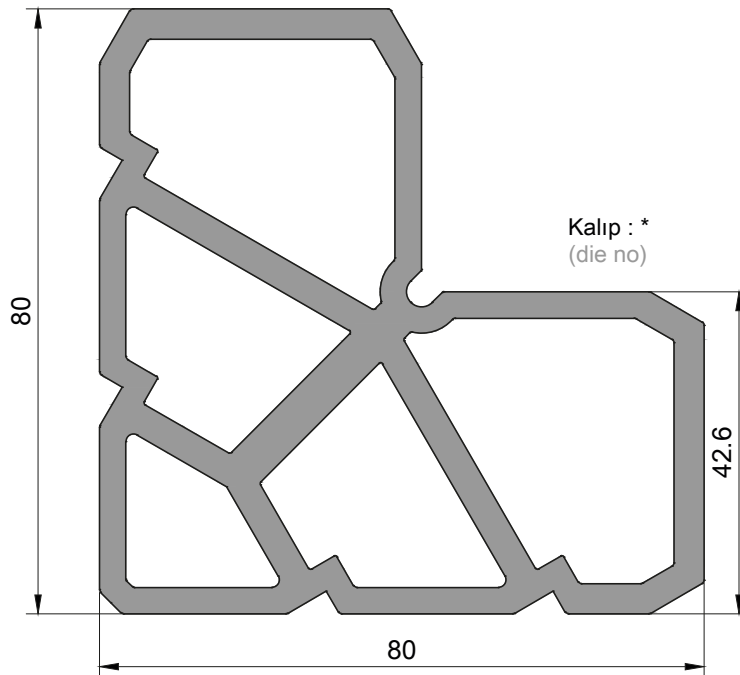
## P 1163

Köşe Takoz Profili / 3,750kg/mt  
Corner Cleat Profile



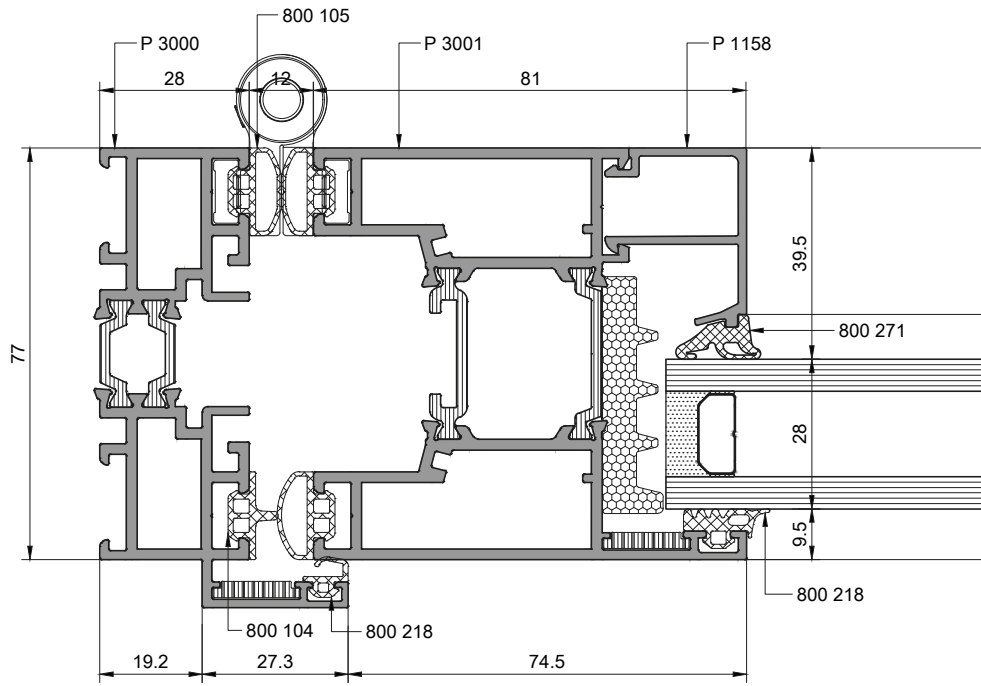
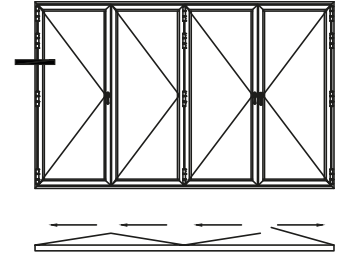
## P 3023

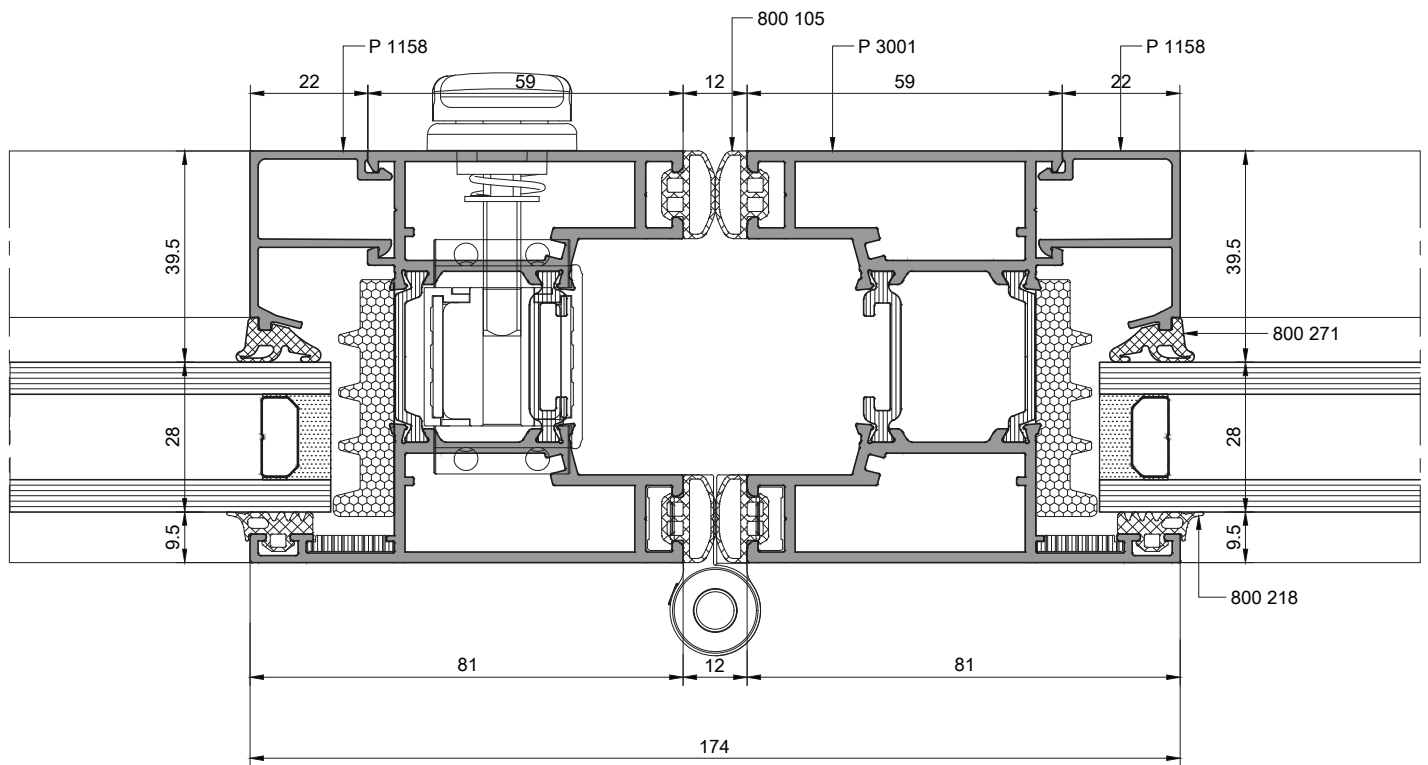
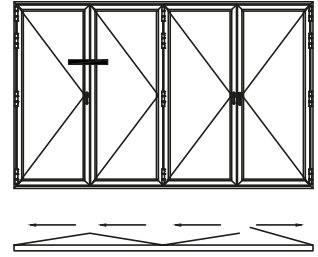
Köşe Takoz profili / 4,590kg/mt  
Corner Cleat Profile



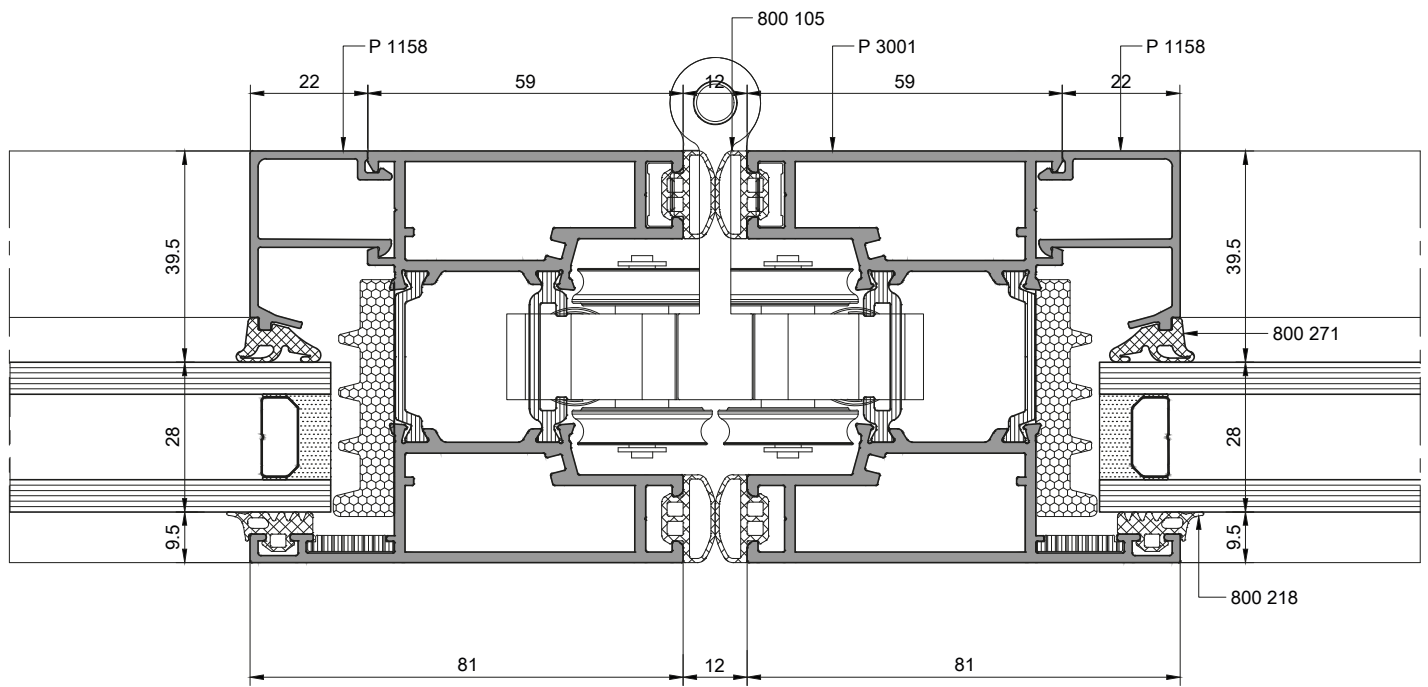
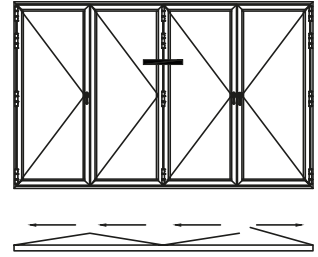
**PANORAMA**  
**KATLANIR KAPI SİSTEMİ**  
PANORAMA FOLDING DOOR SYSTEM

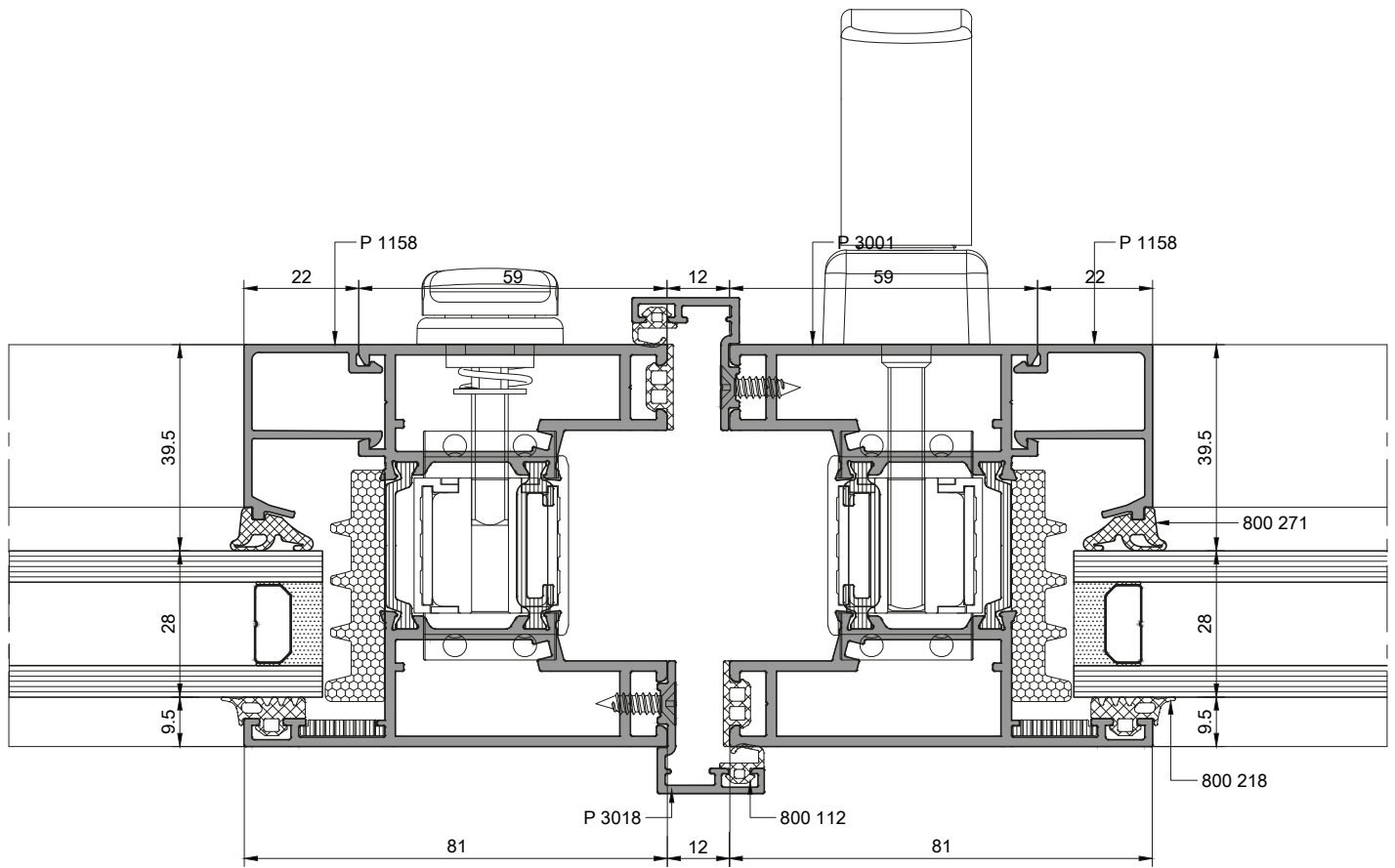
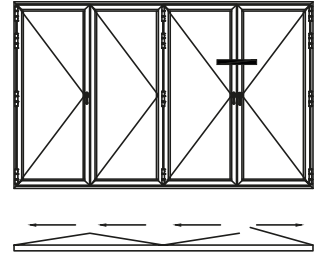
**SİSTEM DETAYLARI**  
SYSTEM DETAILS

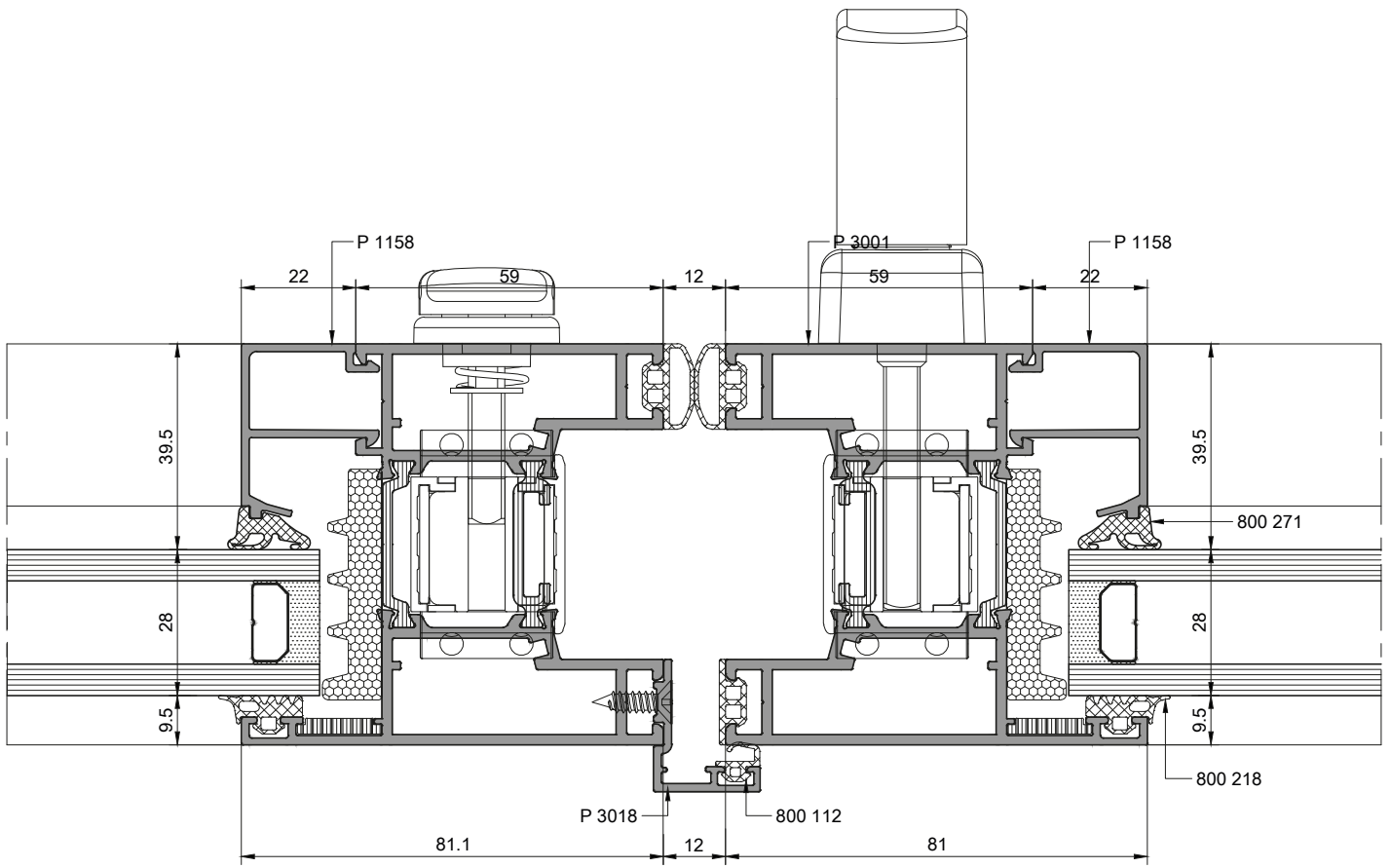
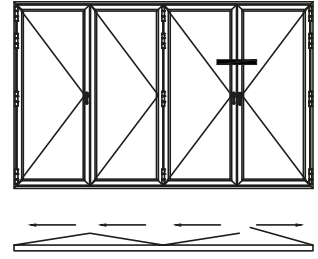


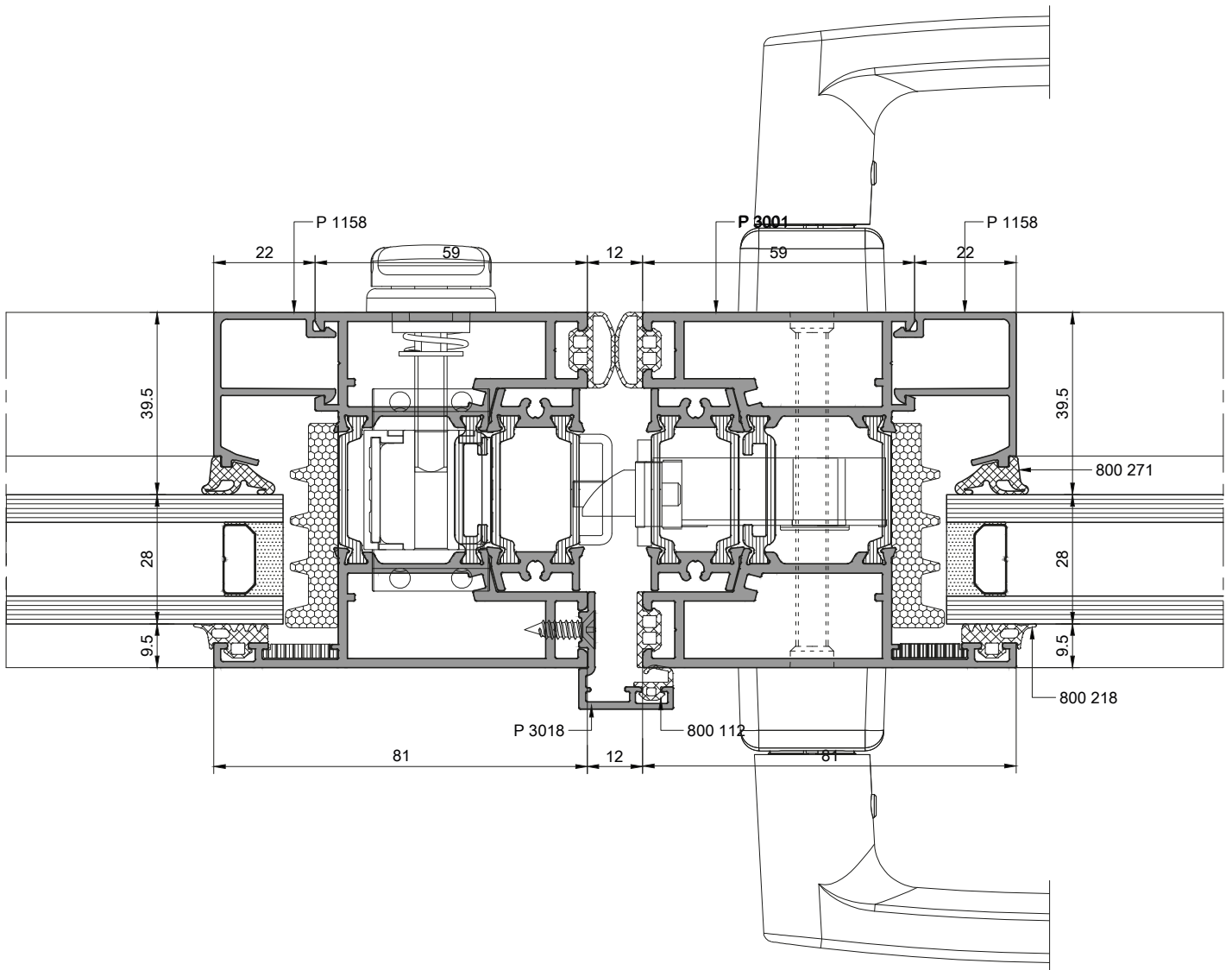
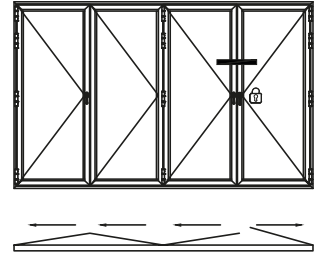


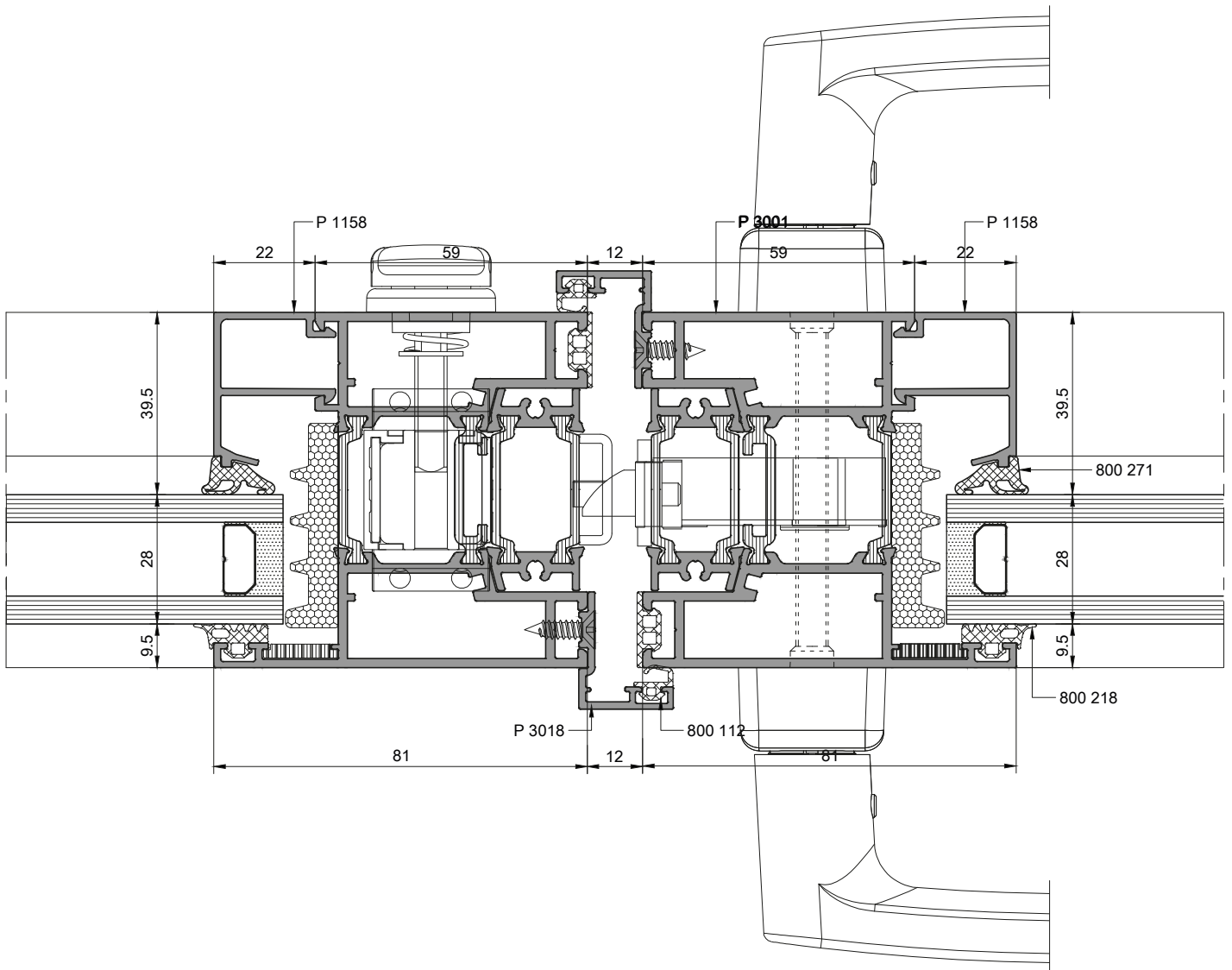
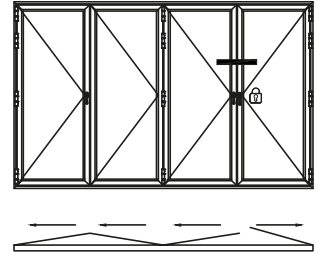


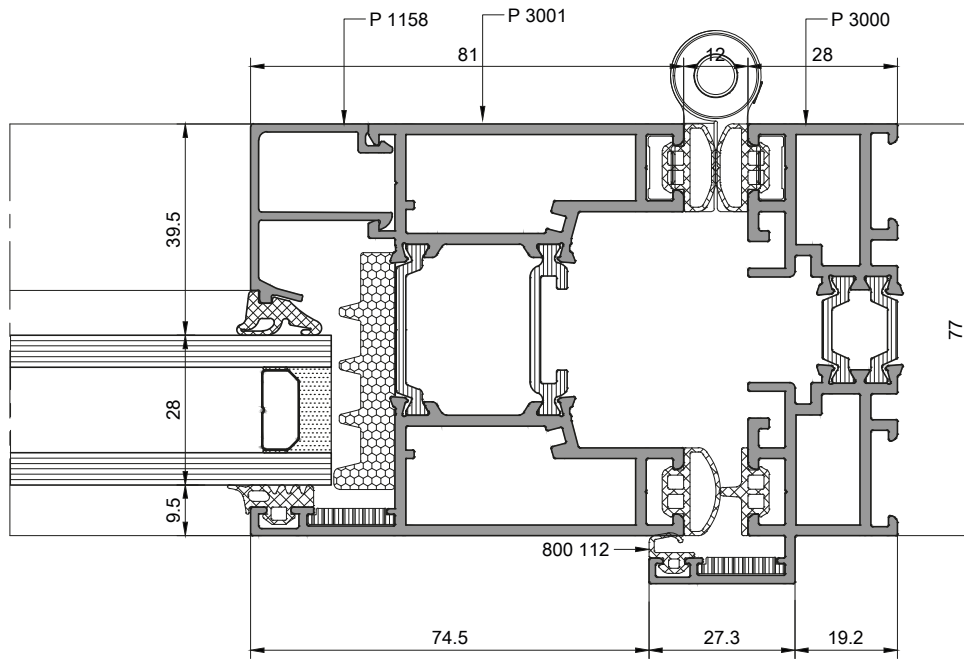
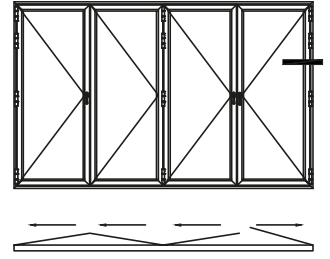


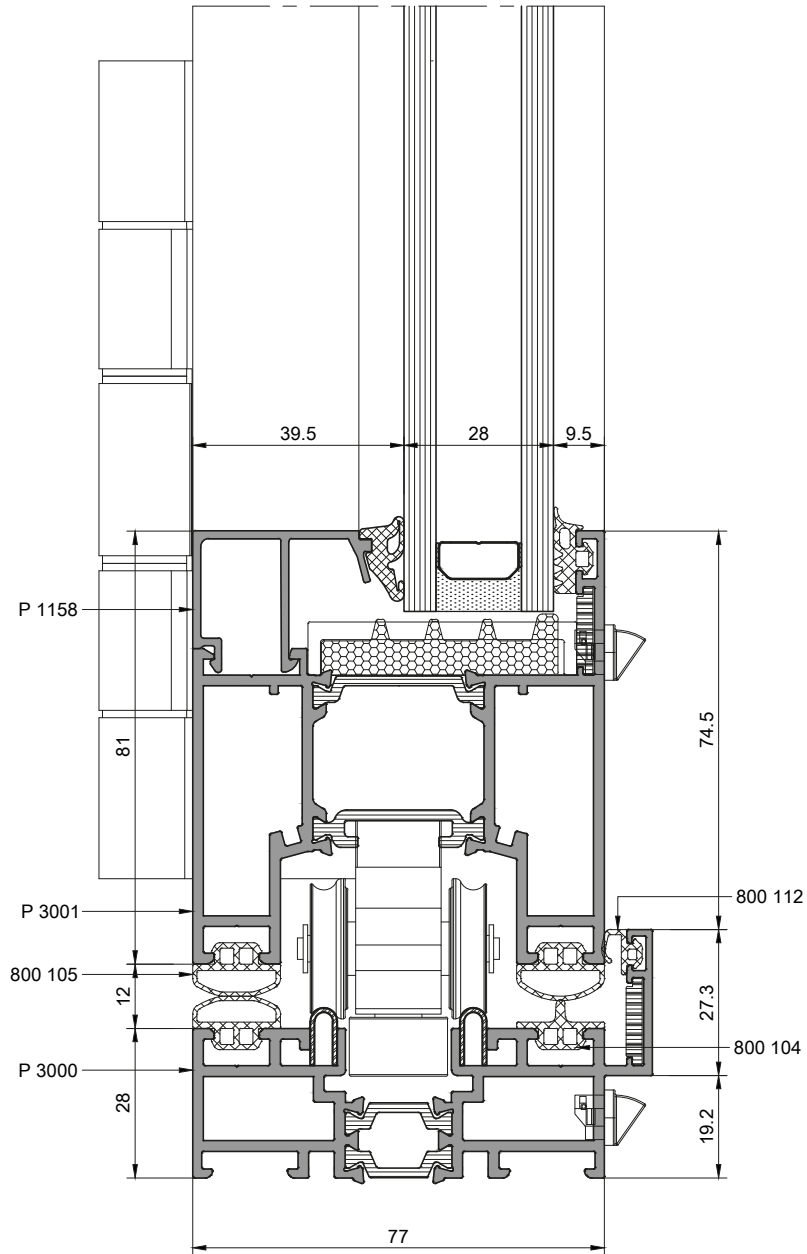
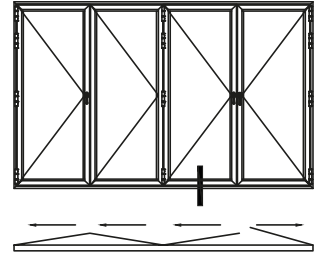


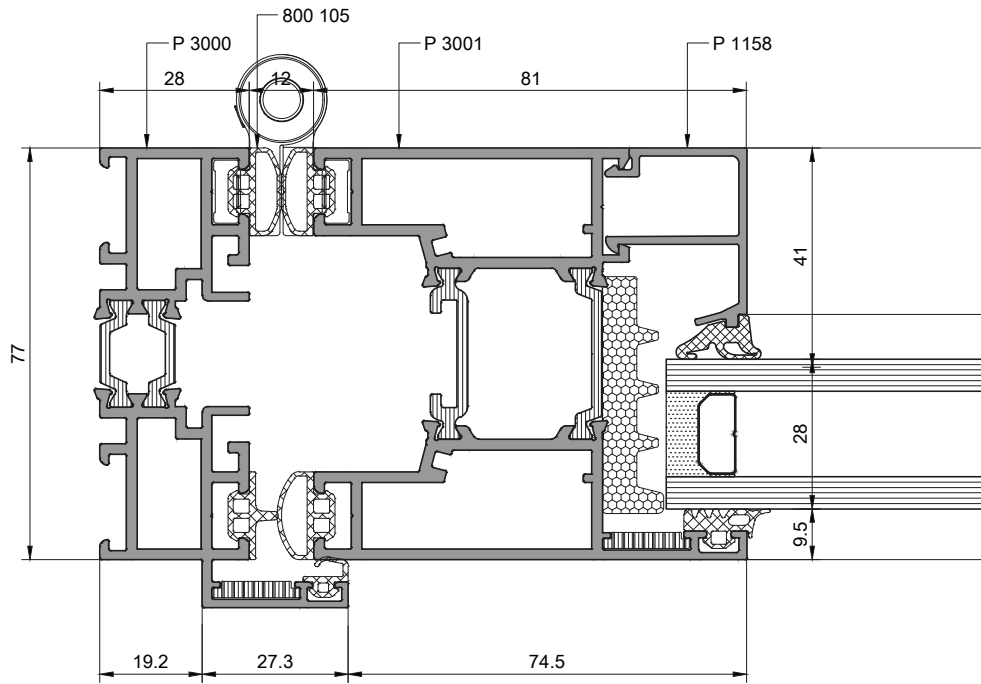
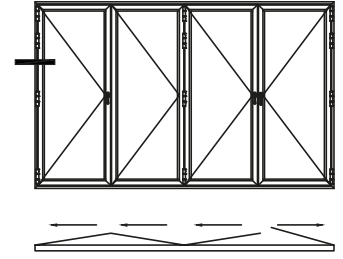




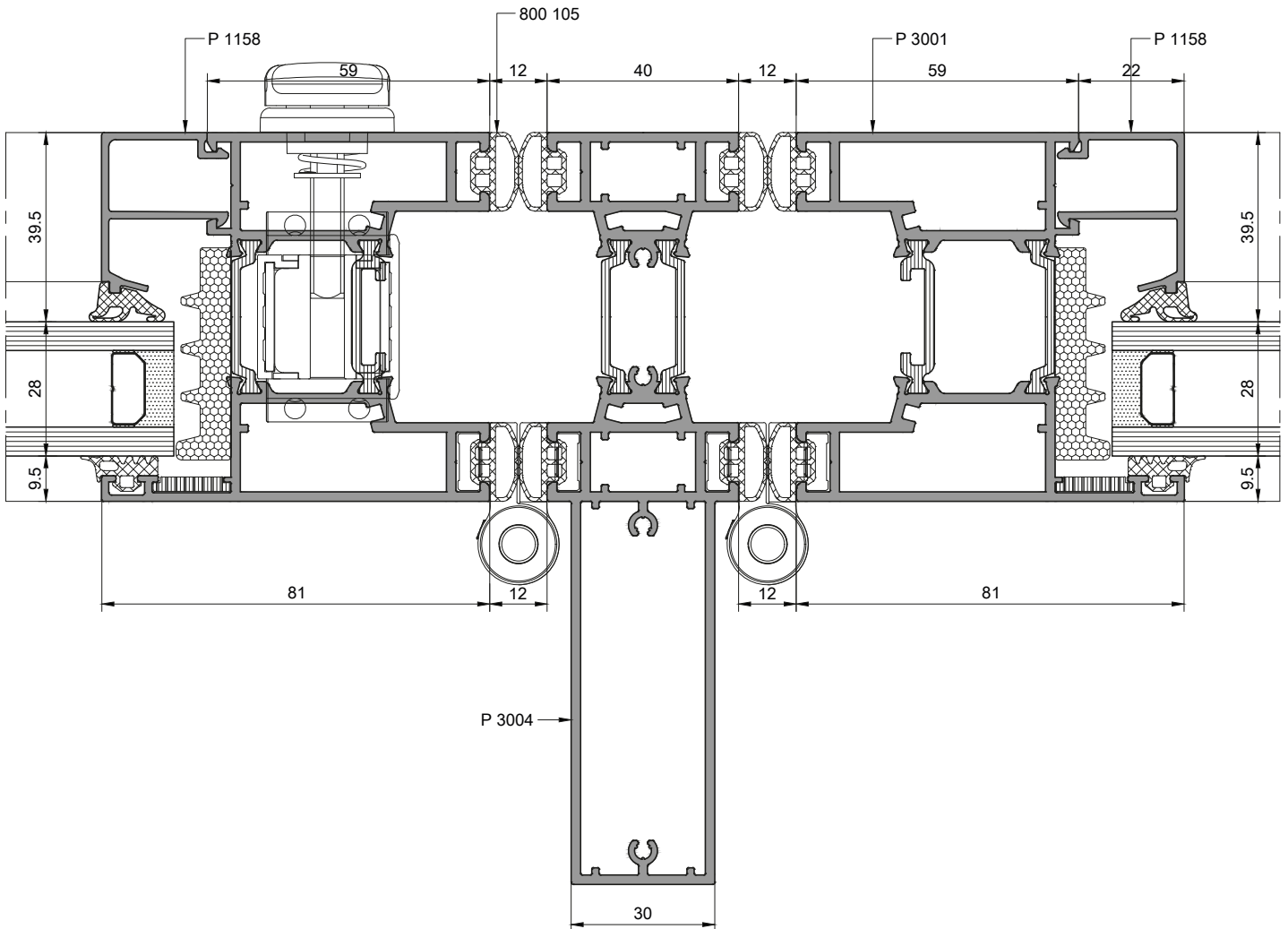
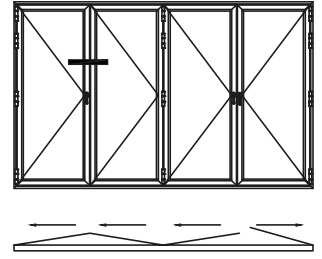


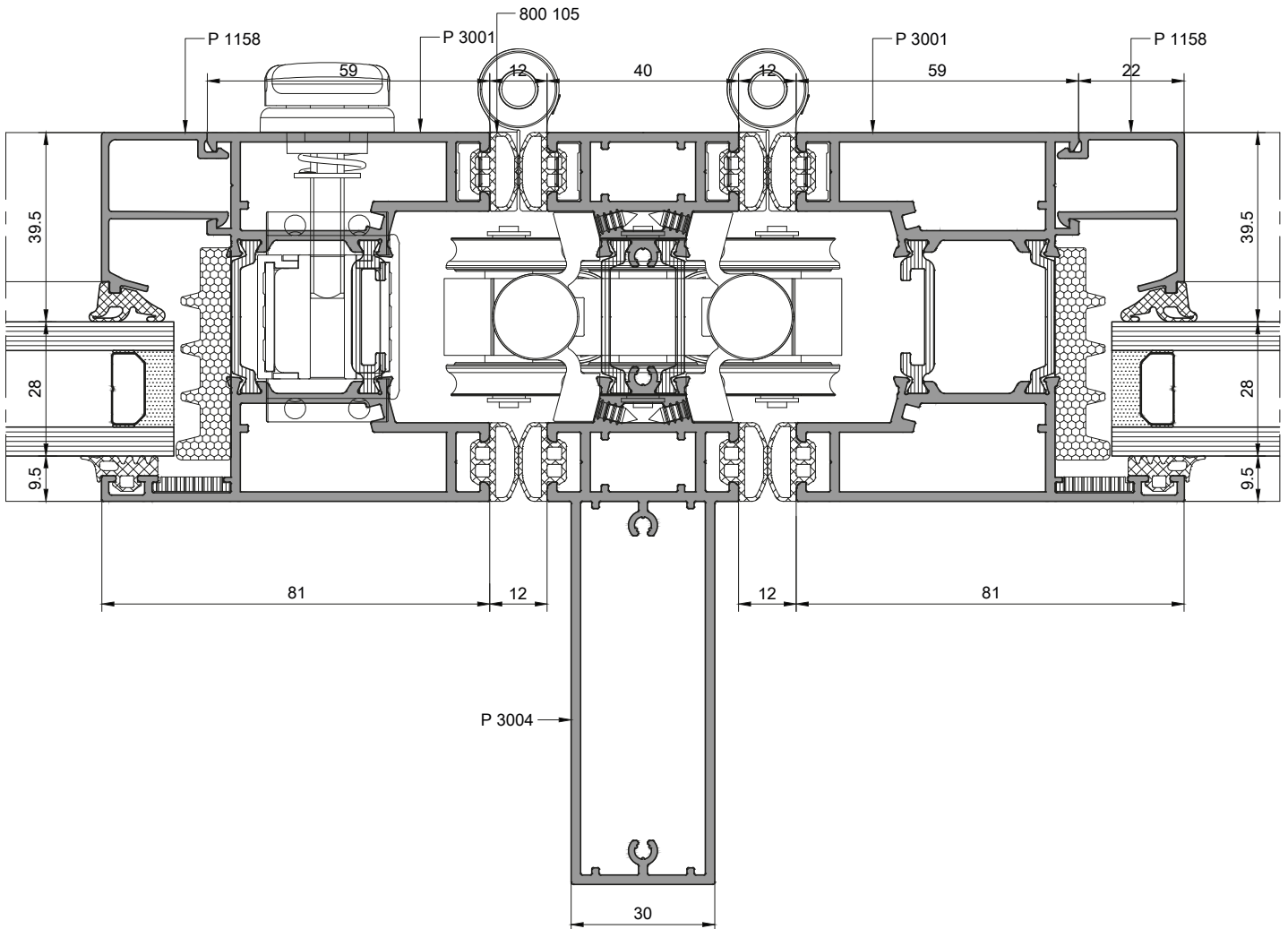
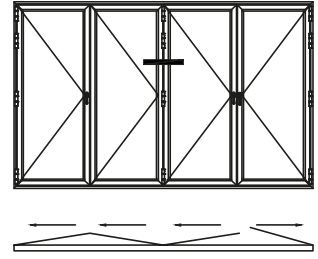


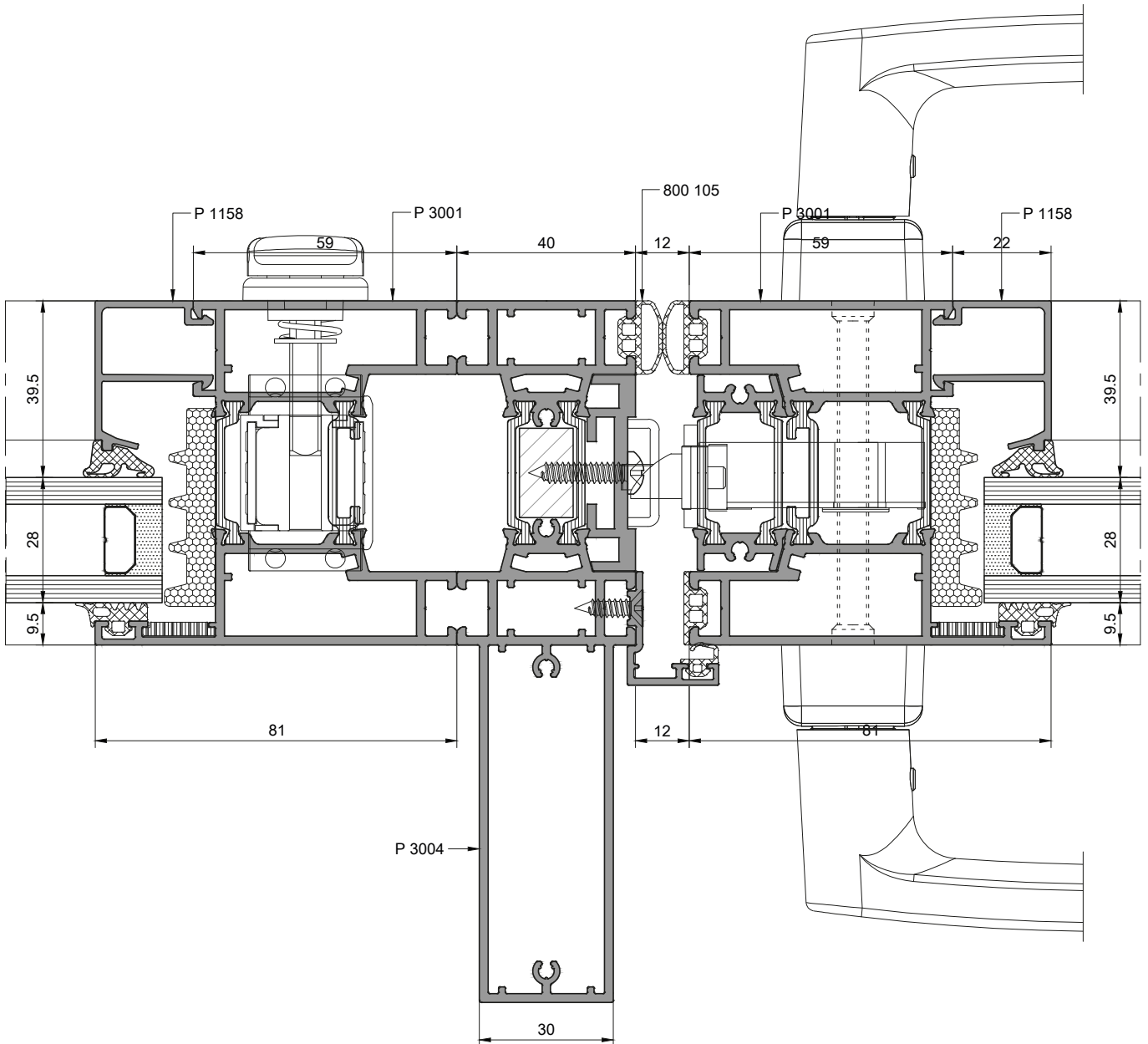
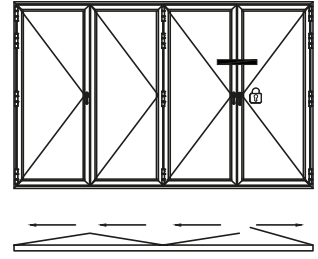


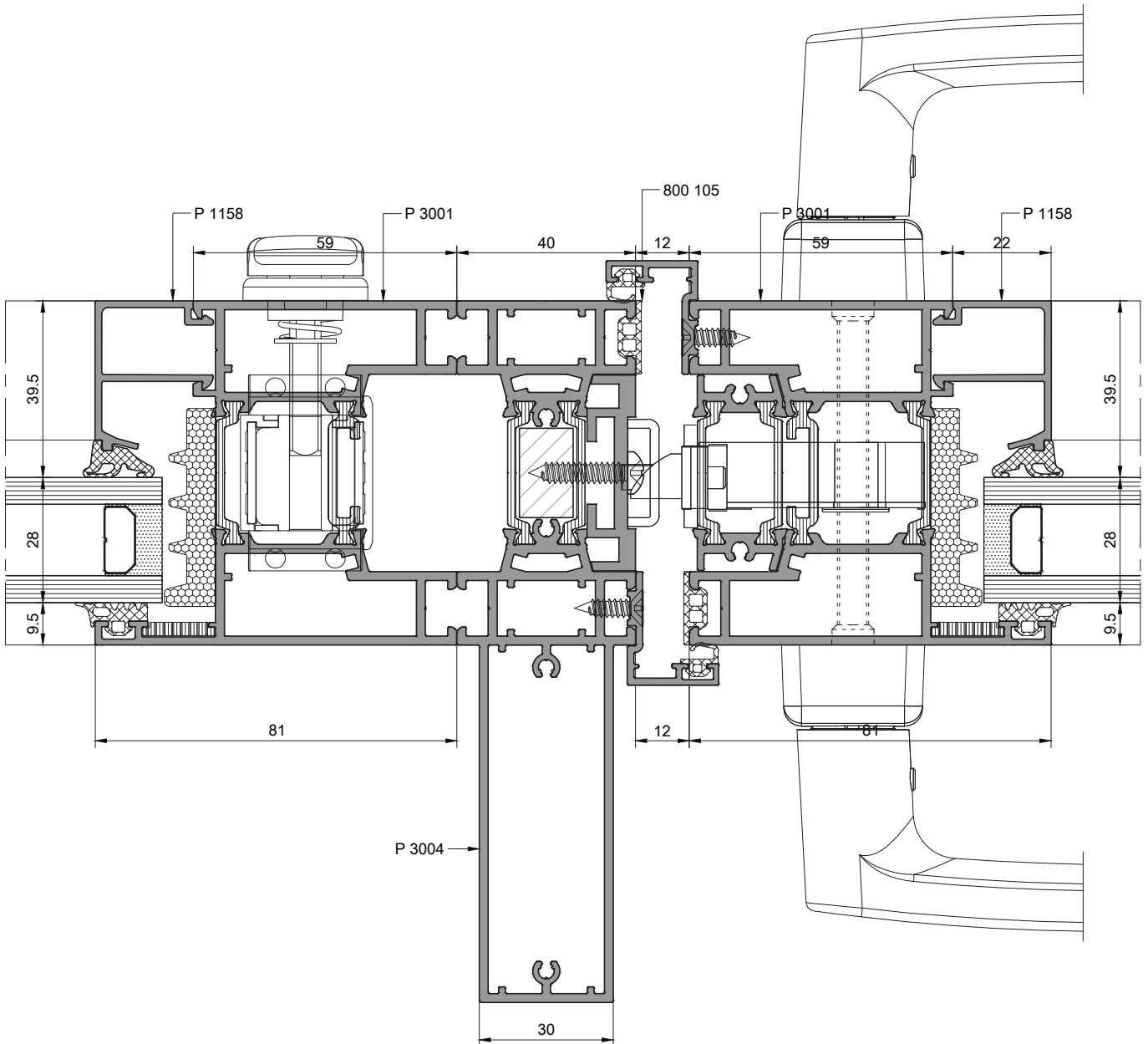
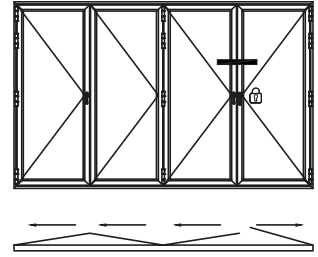


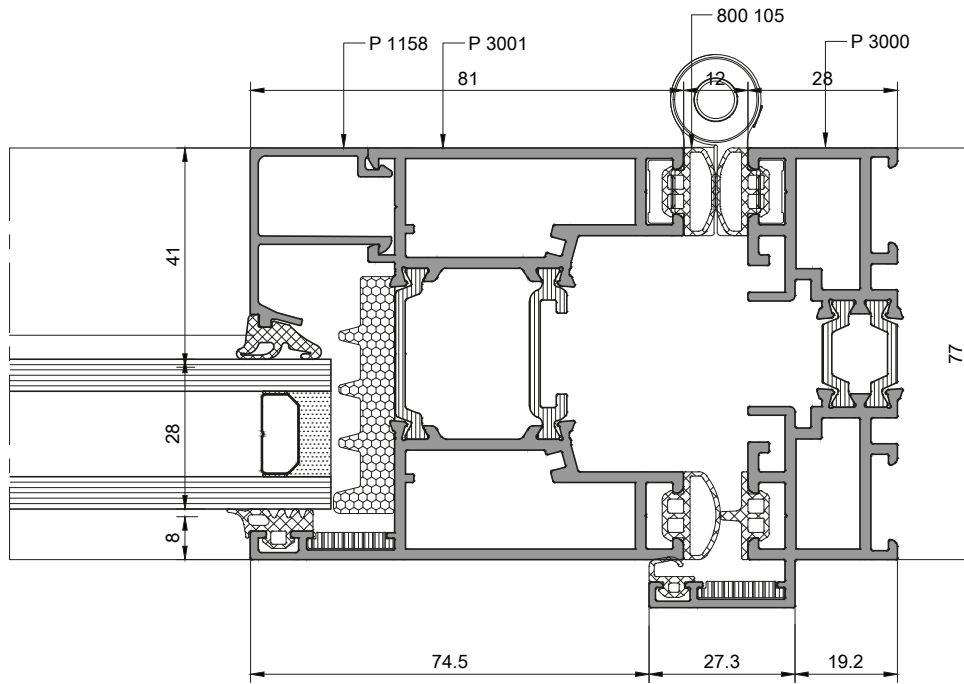
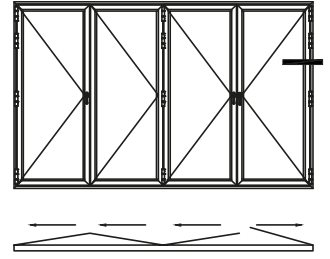


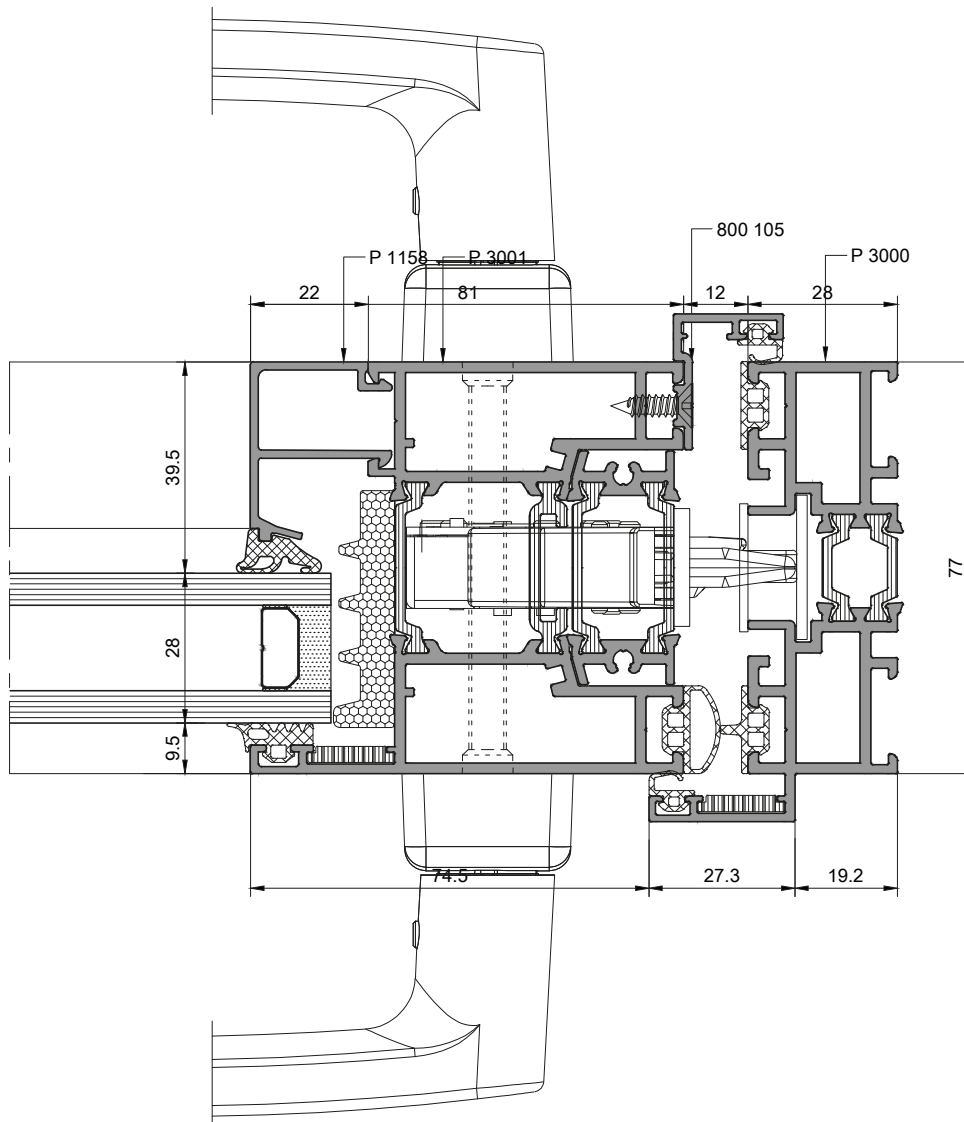
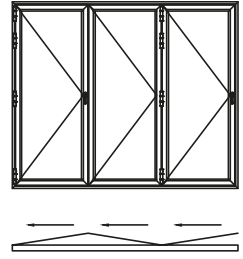


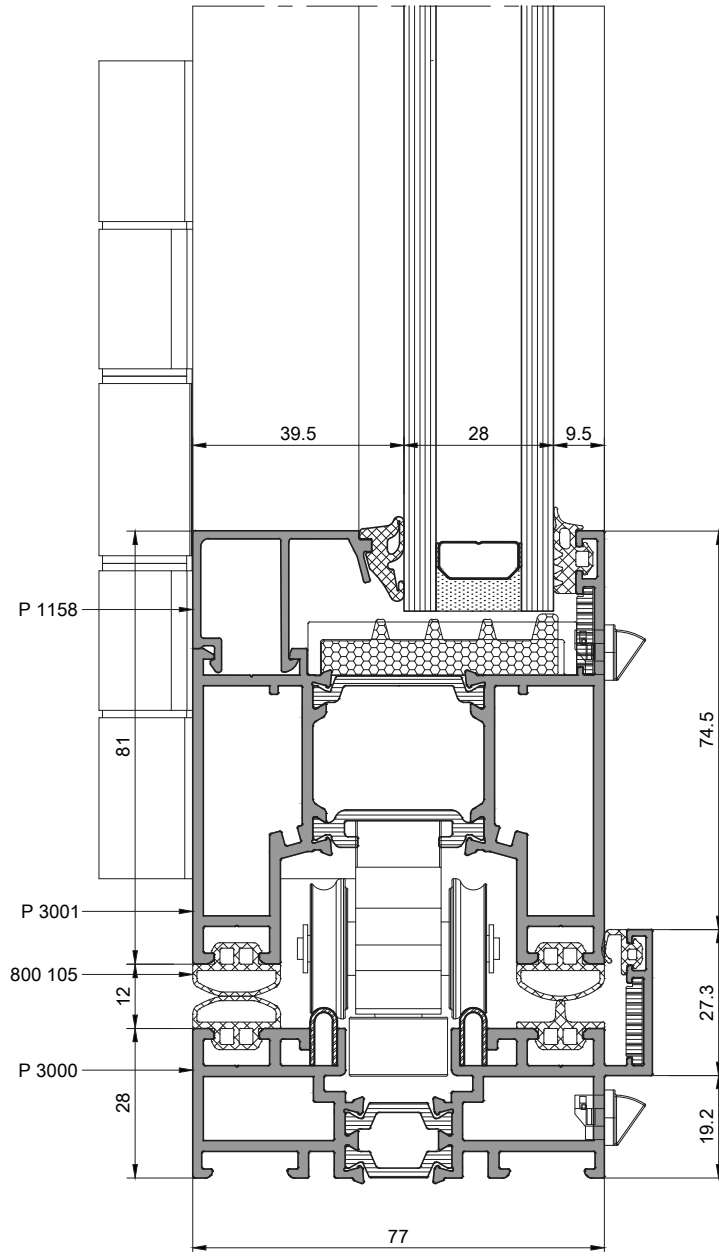
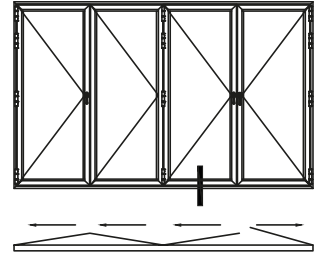


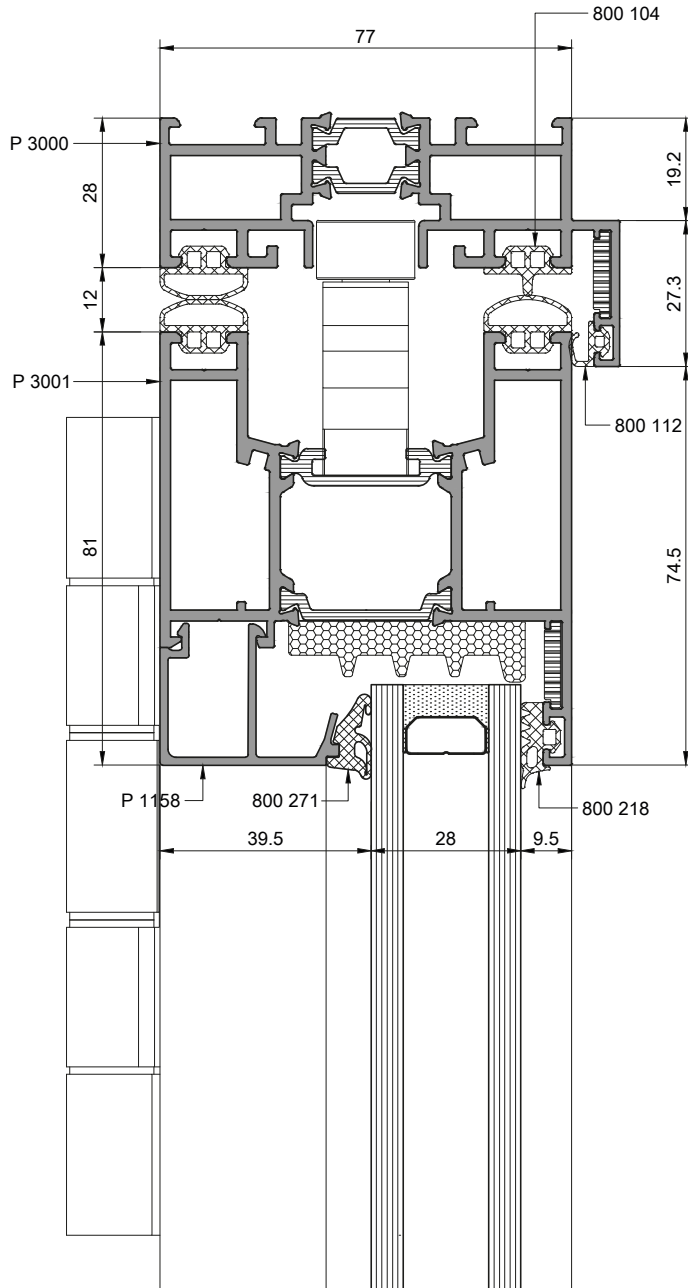
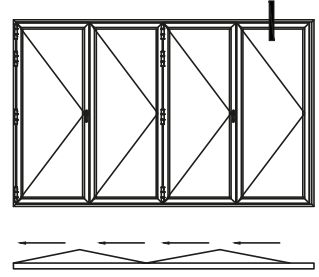








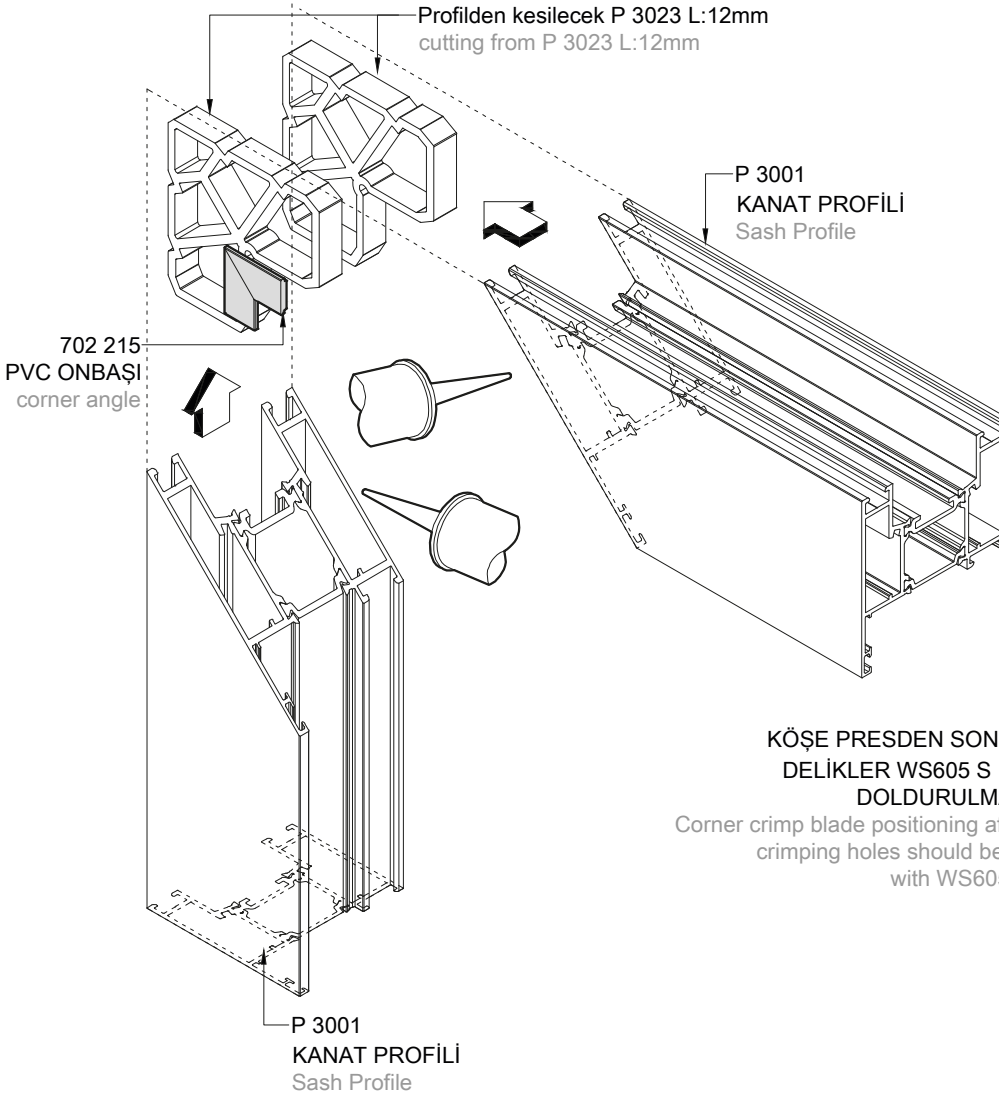
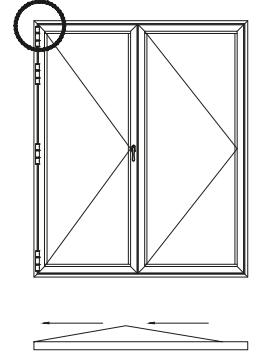




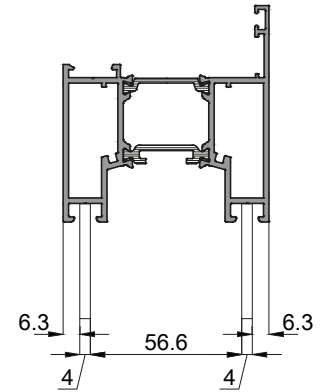
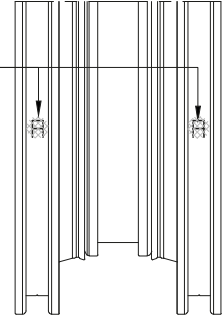


**PANORAMA**  
**KATLANIR KAPI SİSTEMİ**  
PANORAMA FOLDING DOOR SYSTEM

**FABRİKASYON ve MONTAJ TALİMATLARI**  
MANUFACTURING INSTRUCTIONS



**KÖŞE PRES DEN SONRA  
DELİKLER WS605 S İLE  
DOLDURULMALI**  
Corner crimp blade positioning after  
crimping holes should be fill  
with WS605 S



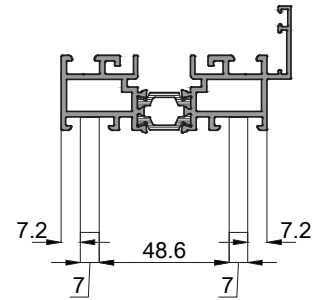
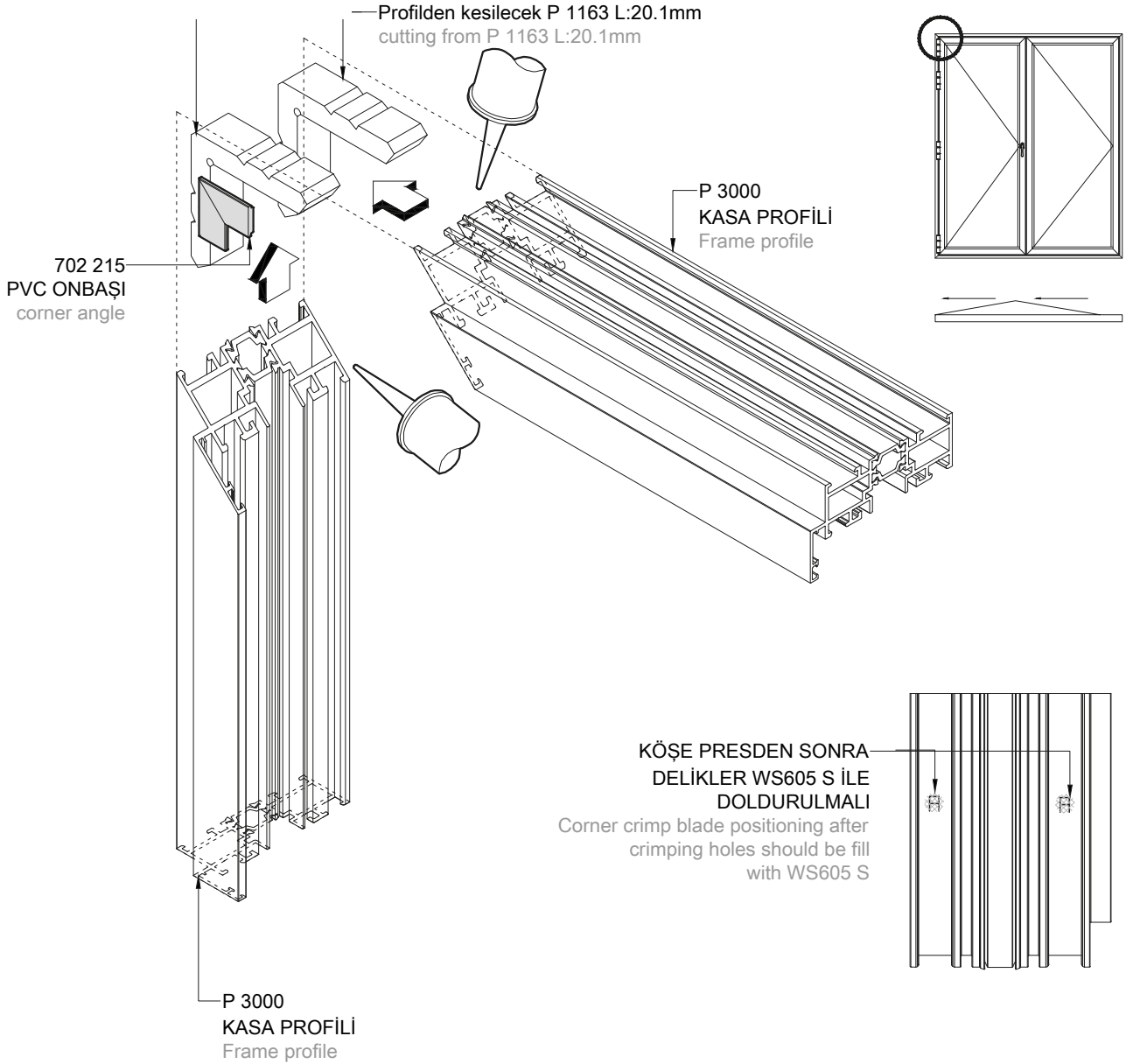
**KÖŞE PRES BİÇAK YERLEŞİM**  
corner crimp blade tool

### KÖŞE BAĞLANTI UYGULAMASI

- 1 - UYGUN YAĞ SÖKÜCÜ İLE KESİM YÜZEYİ VE ÖN+ARKA ODACIKLAR TEMİZLENİR.
- 2 - HER İKİ PROFİLİN ÖN VE ARKA ODACIKLARINA COSMO-DUO PU-200.281 EPOXİ ENJEKTE EDİLİR.
- 3 - HER İKİ PROFİLİN AÇILI KESİM YÜZEYİNE WS605 S MASTİK UYGULAMASI YAPILIR.
- 4 - HER İKİ PROFİLİN KÖŞELERİ PRES İLE BAĞLANIP HİZALANIR,TAŞAN SİLİKON VE EPOXİ ARTIĞI HEMEN UYGUN TEMİZLEYİCİ İLE TEMİZLENİR.

### Corner assembling application

- 1-interior and exterior chambers should be clear with oil remover
- 2-nterior and exterior chambers of both aluminium profiles should be fill with cosmo-duo pu-200.281 epoxy.
- 3-WS605 S adhesive should be apply on to both profiles cutting surface.
- 4-Both profiles should be aligned and crimped excessive silicone and epoxy should be remove with proper cleaner.



KÖŞE PRES BİÇAK YERLEŞİM  
corner crimp blade tool

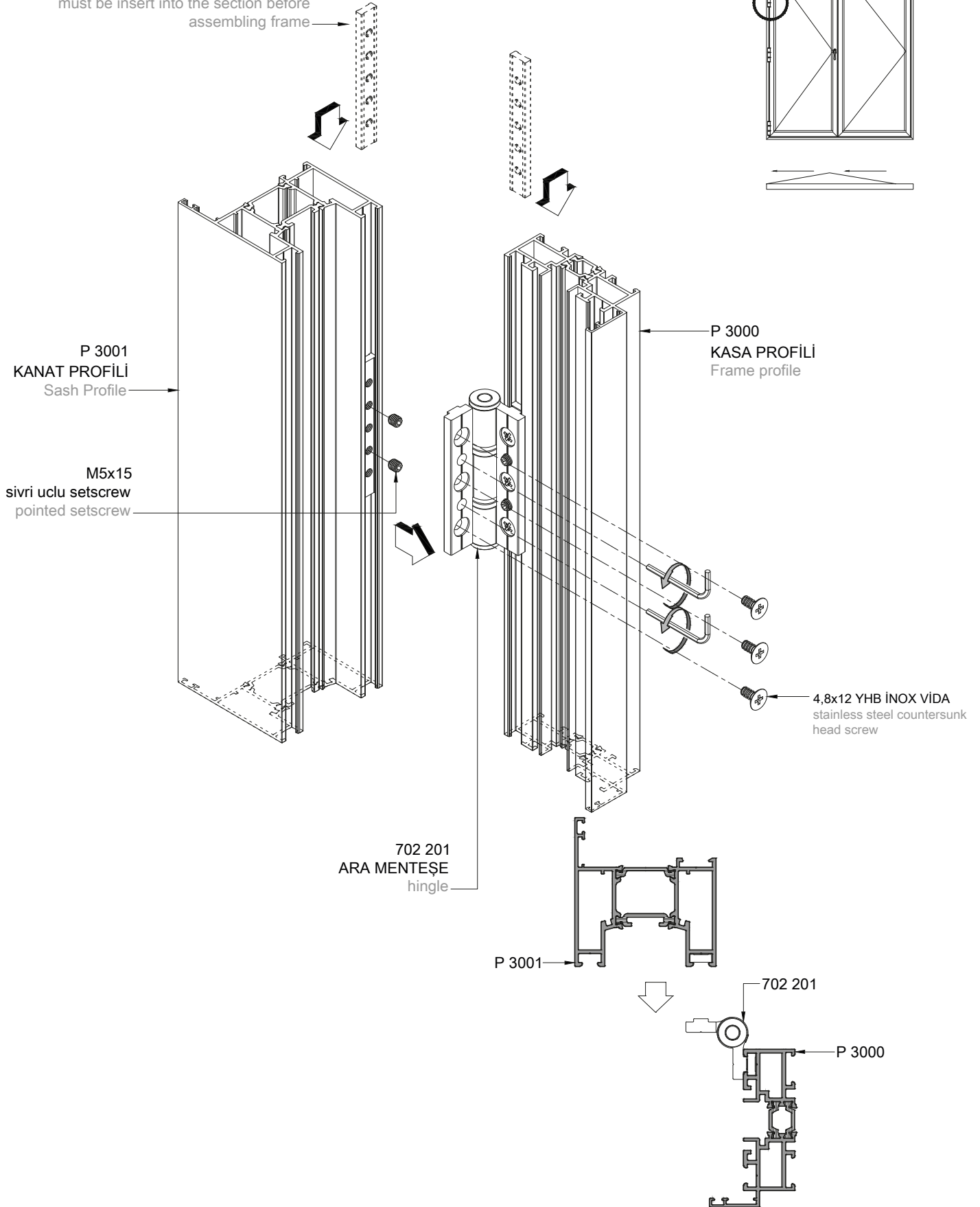
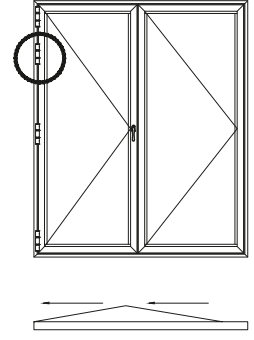
### KÖŞE BAĞLANTI UYGULAMASI

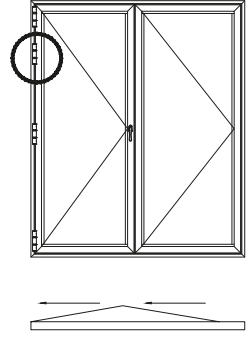
- 1 - UYGUN YAĞ SÖKÜCÜ İLE KESİM YÜZEYİ VE ÖN+ARKA ODACIKLAR TEMİZLENİR.
- 2 - HER İKİ PROFİLİN ÖN VE ARKA ODACIKLARINA COSMO-DUO PU-200.281 EPOXİ ENJEKTE EDİLİR.
- 3 - HER İKİ PROFİLİN AÇILI KESİM YÜZEYİNE WS605 S MASTİK UYGULAMASI YAPILIR.
- 4 - HER İKİ PROFİLİN KÖŞELERİ PRES İLE BAĞLANIP HİZALANIR,TAŞAN SİLİKON VE EPOXİ ARTIĞI HEMEN UYGUN TEMİZLEYİCİ İLE TEMİZLENİR.

### Corner assembling application

- 1-interior and exterior chambers should be clear with oil remover
- 2-nterior and exterior chambers of both aluminium profiles should be fill with cosmo-duo pu-200.281 epoxy.
- 3-WS605 S adhesive should be apply on to both profiles cutting surface.
- 4-Both profiles should be aligned and crimped excessive silicone and epoxy should be remove with proper cleaner.

(çerçeve toplanmadan önce miktarı kadar yerine takılmalı)  
must be insert into the section before  
assembling frame



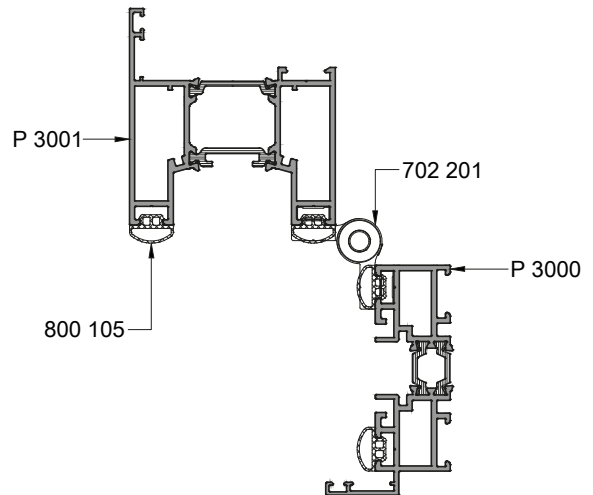


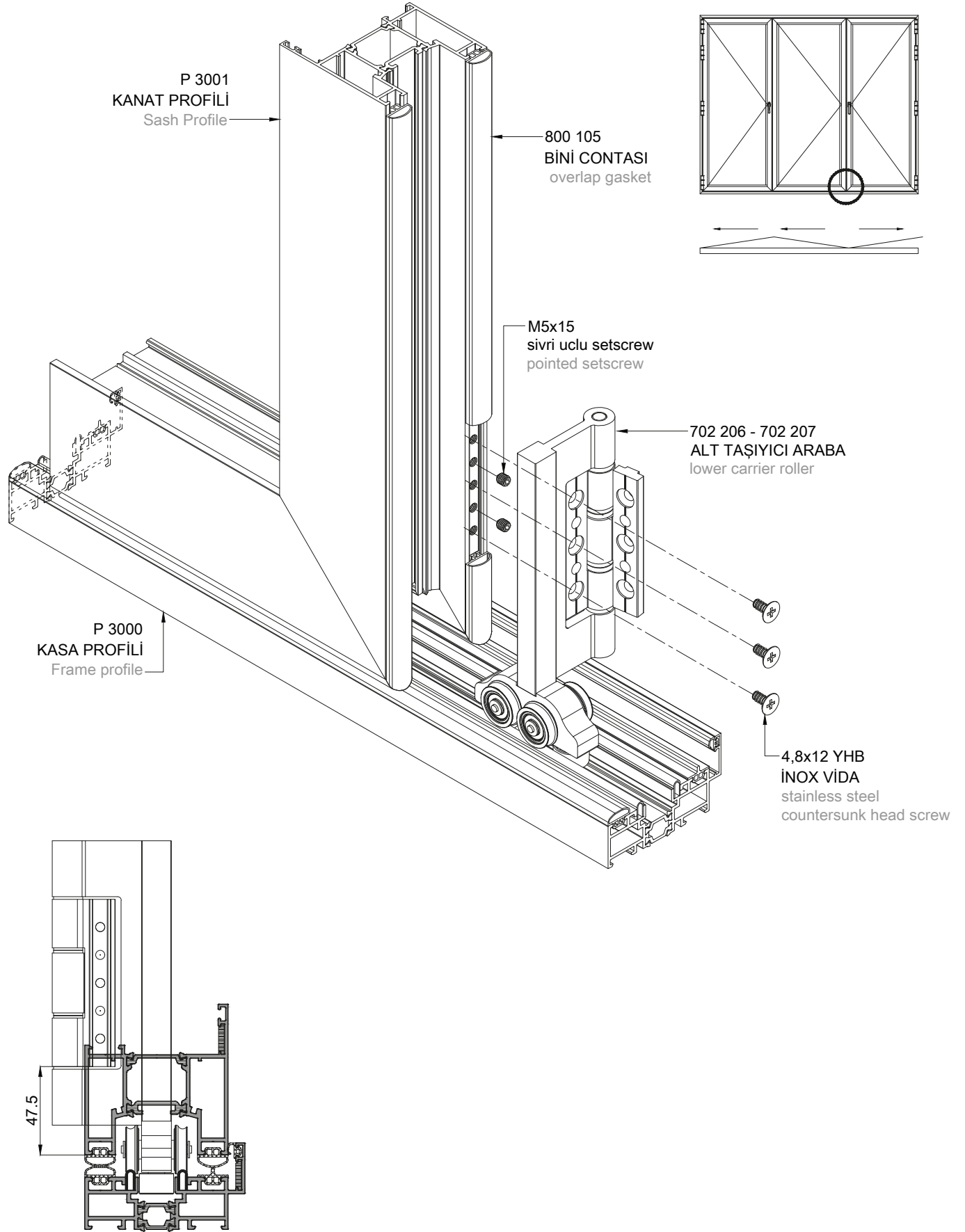
P 3001  
KANAT PROFİLİ  
Sash Profile

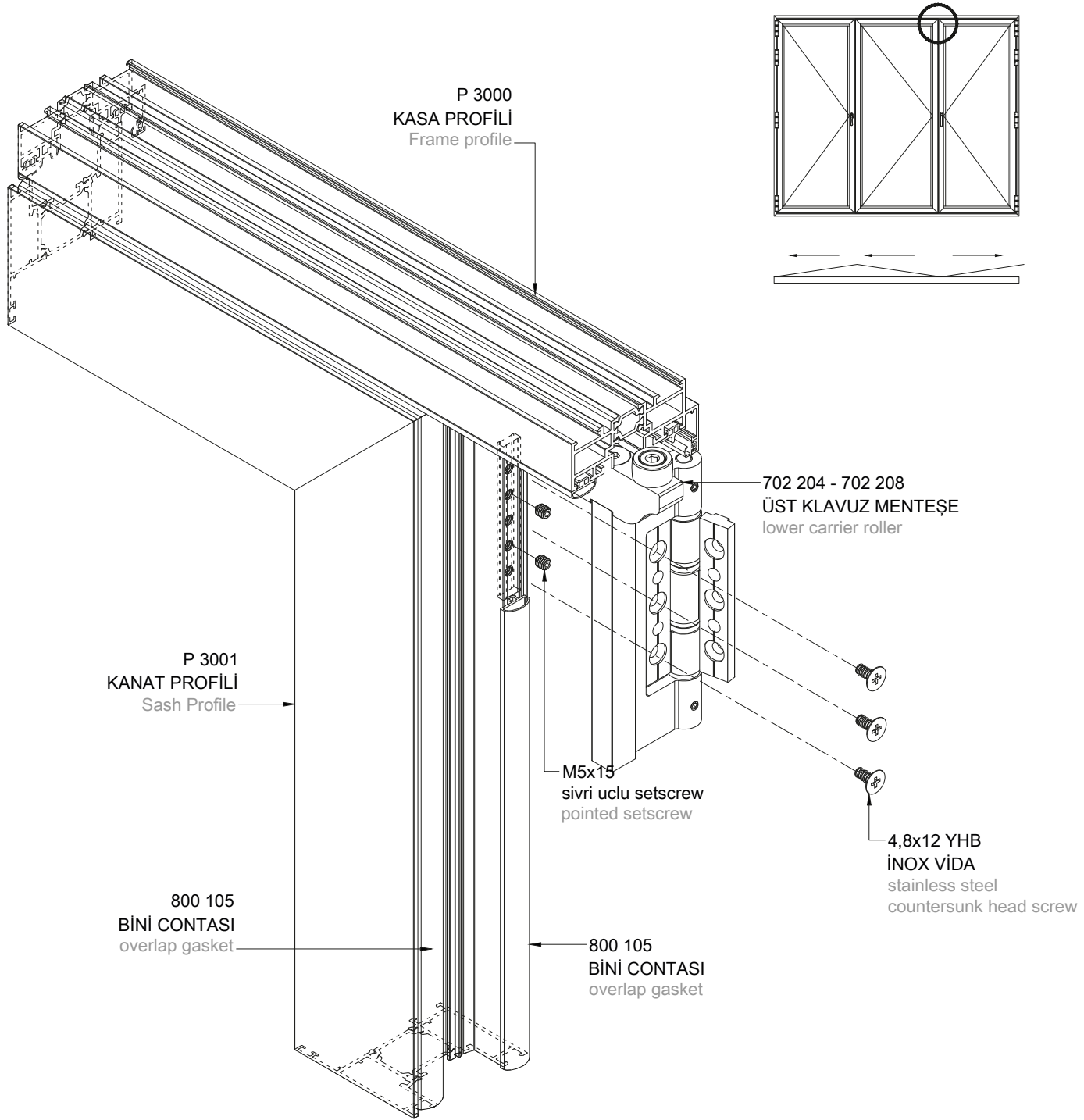
800 105  
BİNİ CONTASI  
overlap gasket

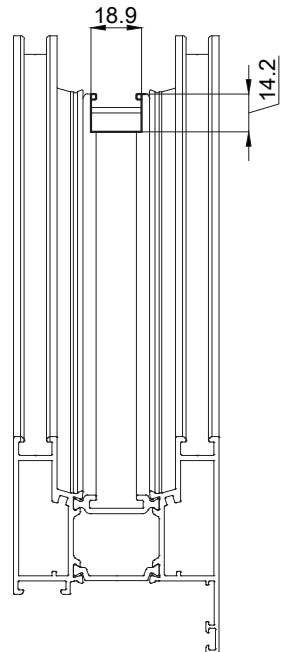
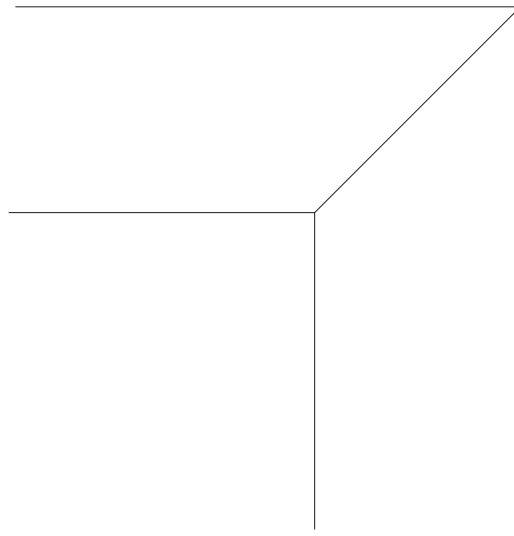
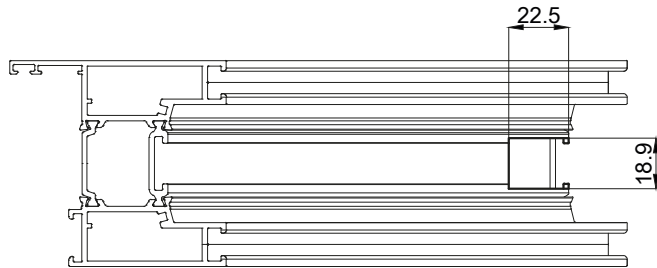
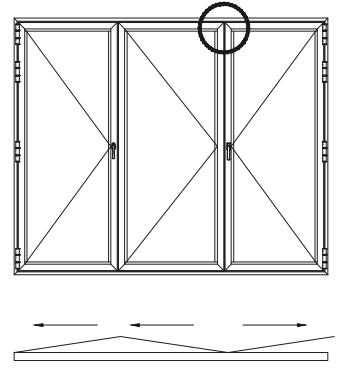
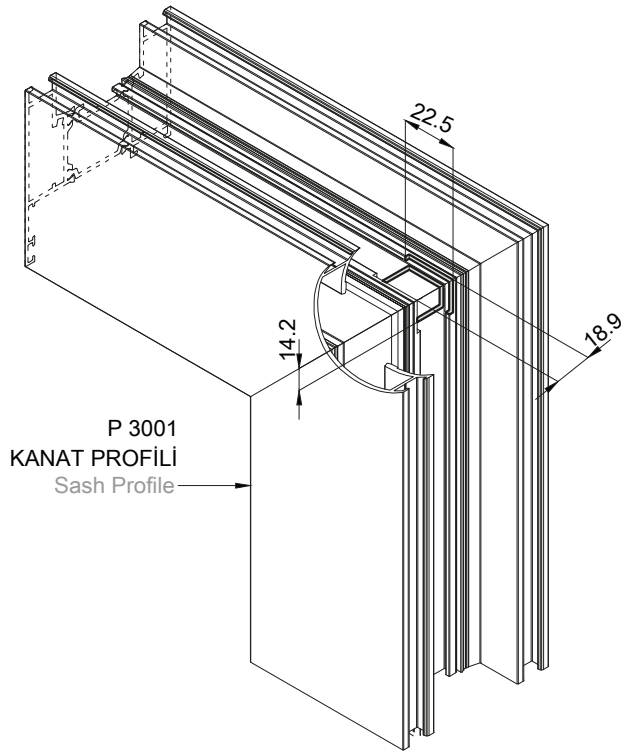
702 201  
ARA MENTEŞE  
hingle

P 3000  
KASA PROFİLİ  
Frame profile

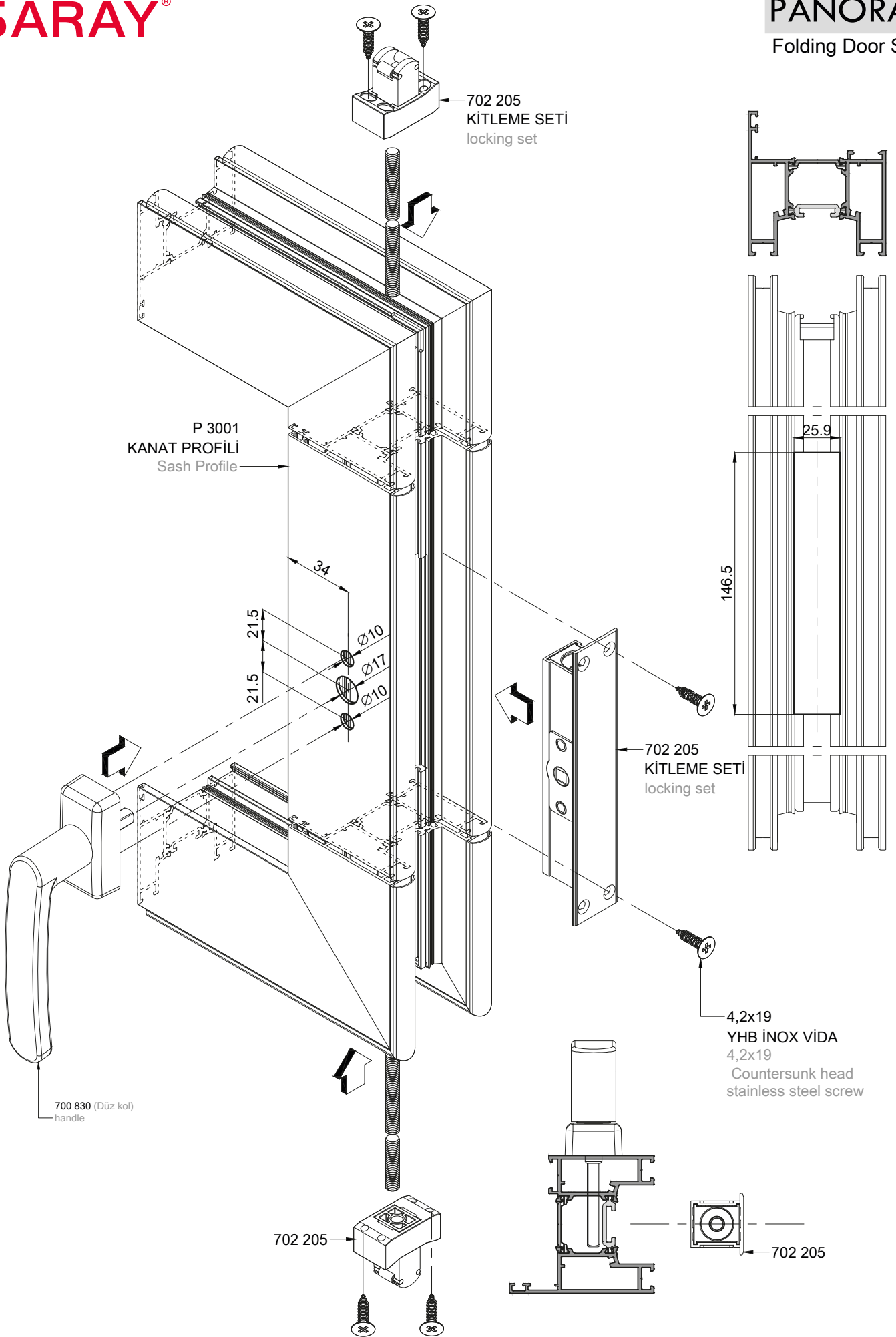




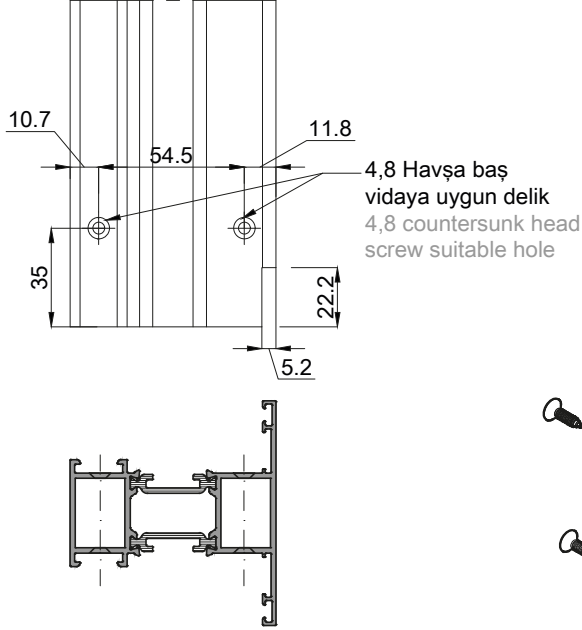




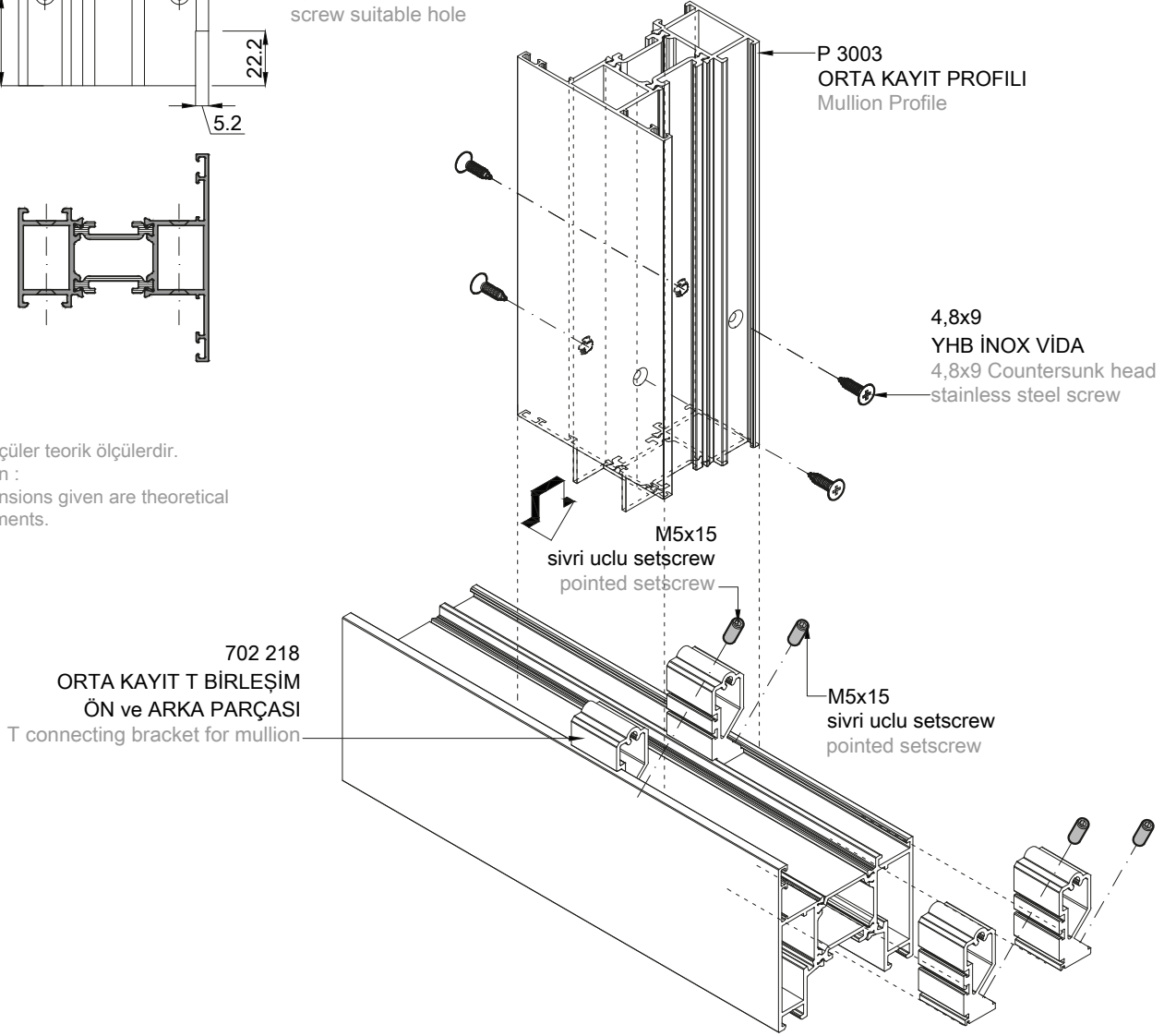




P 3003  
ORTA KAYIT PROFİLİ  
KERTME ve DELİK DETAYI  
Mullion profile  
notching and hole proces



\*\*Dikkat :  
Verilen ölçüler teorik ölçülerdir.  
\*\*Attention :  
The dimensions given are theoretical measurements.



### BAĞLANTI UYGULAMASI

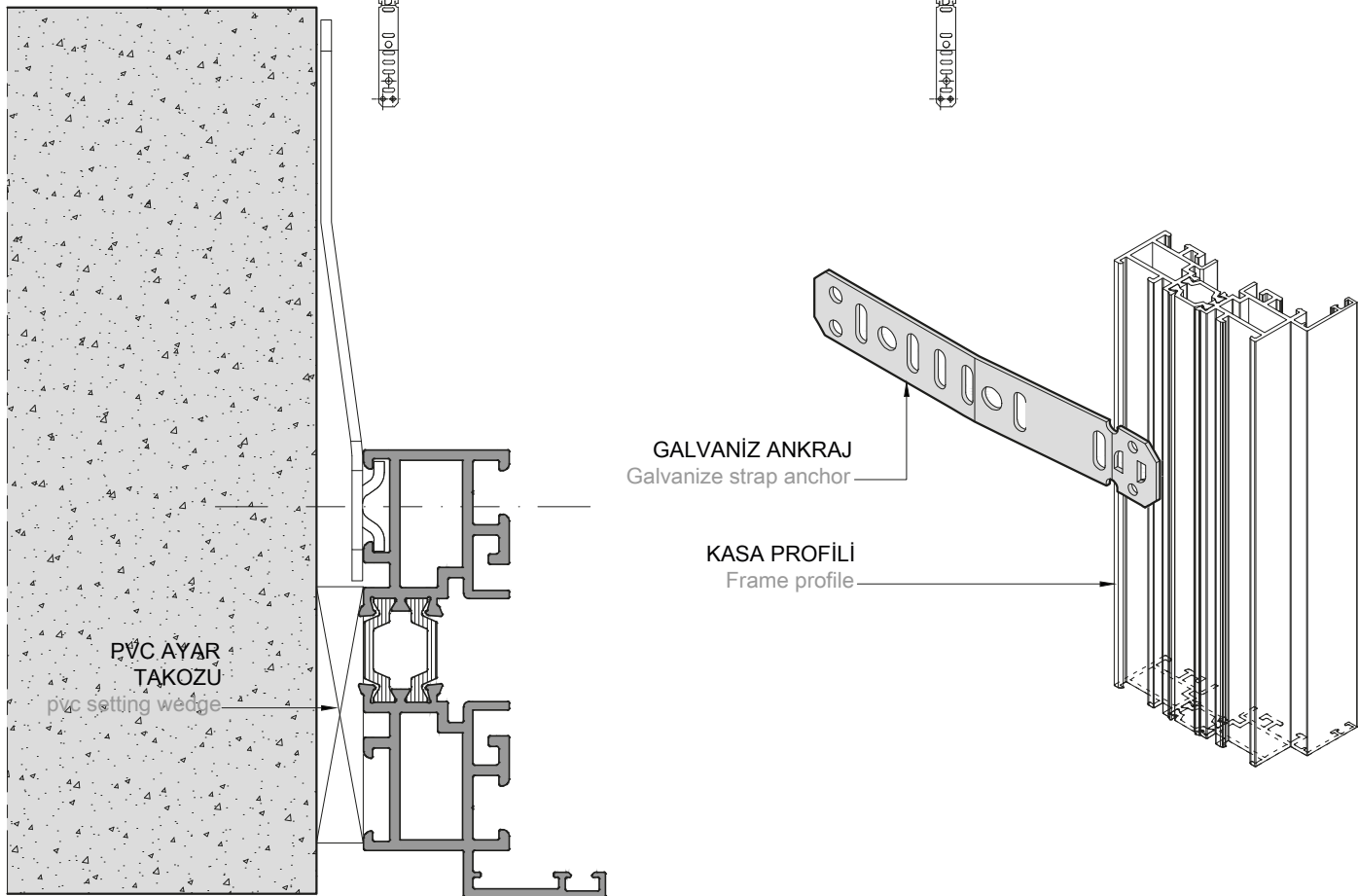
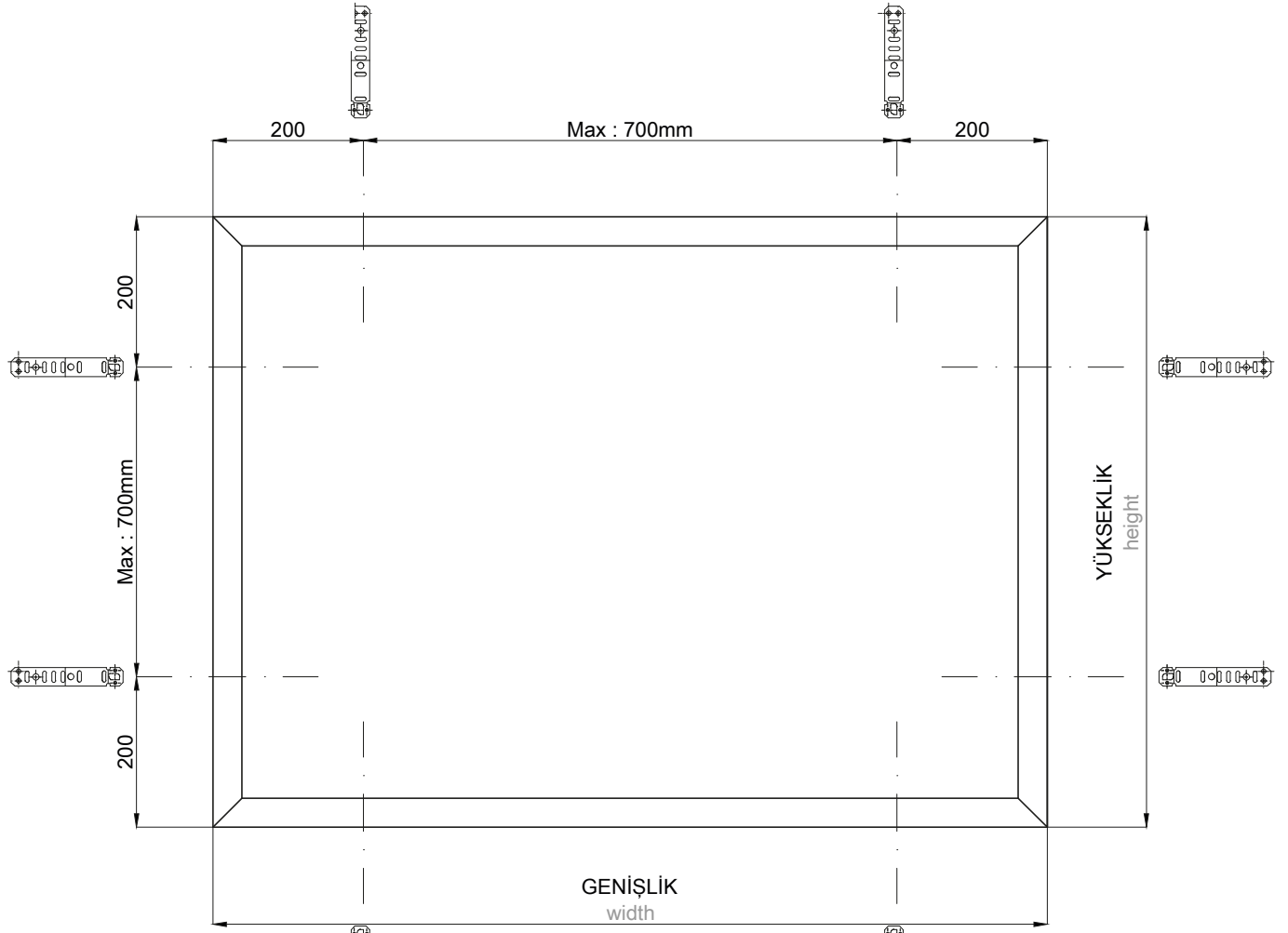
1 - UYGUN YAĞ SÖKÜCÜ İLE KESİM YÜZEYİ VE ÖN+ARKA ODACIKLAR TEMİZLENİR.

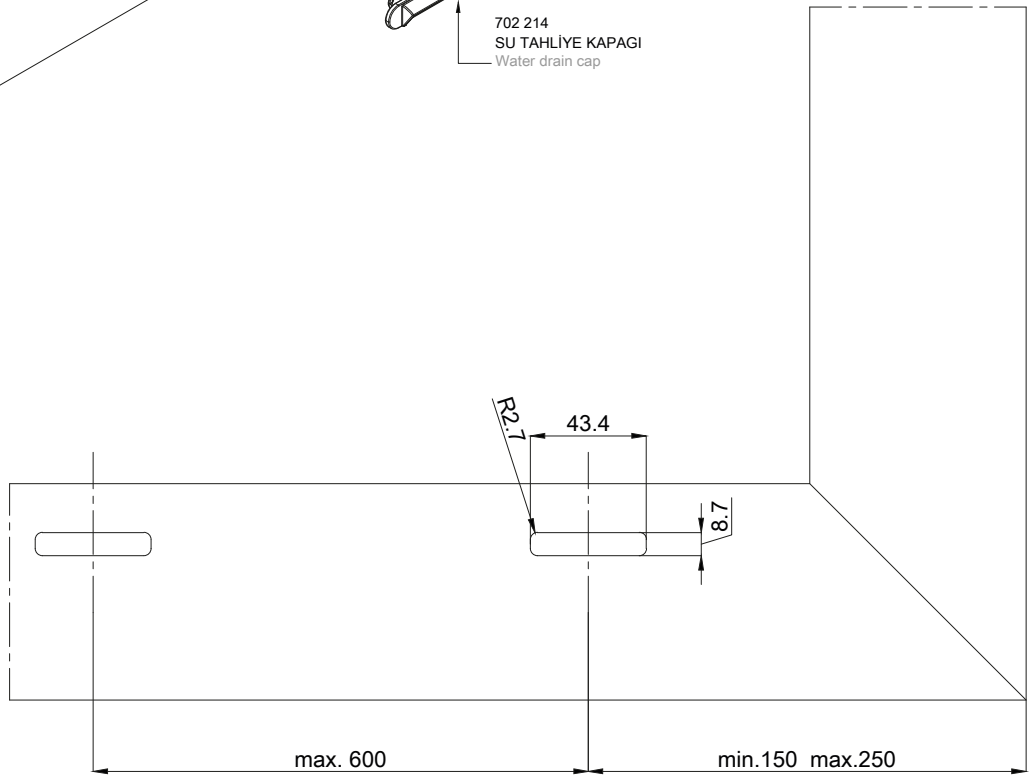
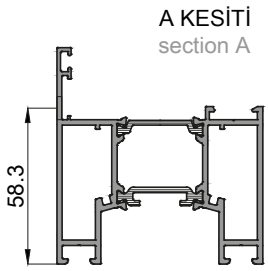
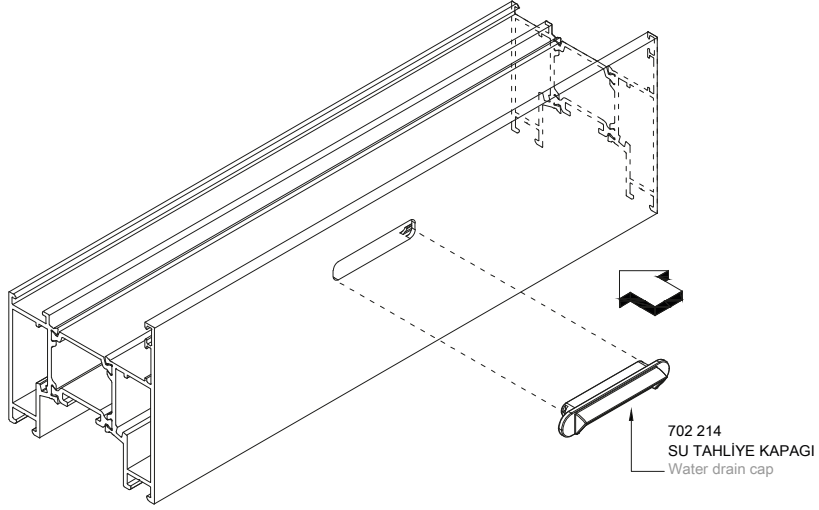
2 - HER İKİ PROFİLİN BAĞLANTI YERLERİNE SİLİKON UYGULAMASI YAPILIR.

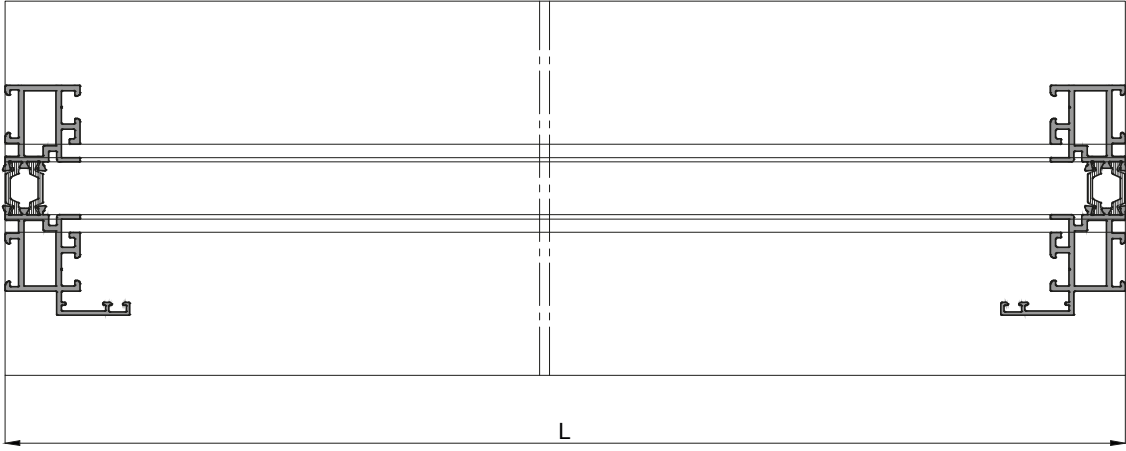
Corner assembling application

1-interior and exterior chambers should be clear with oil remover

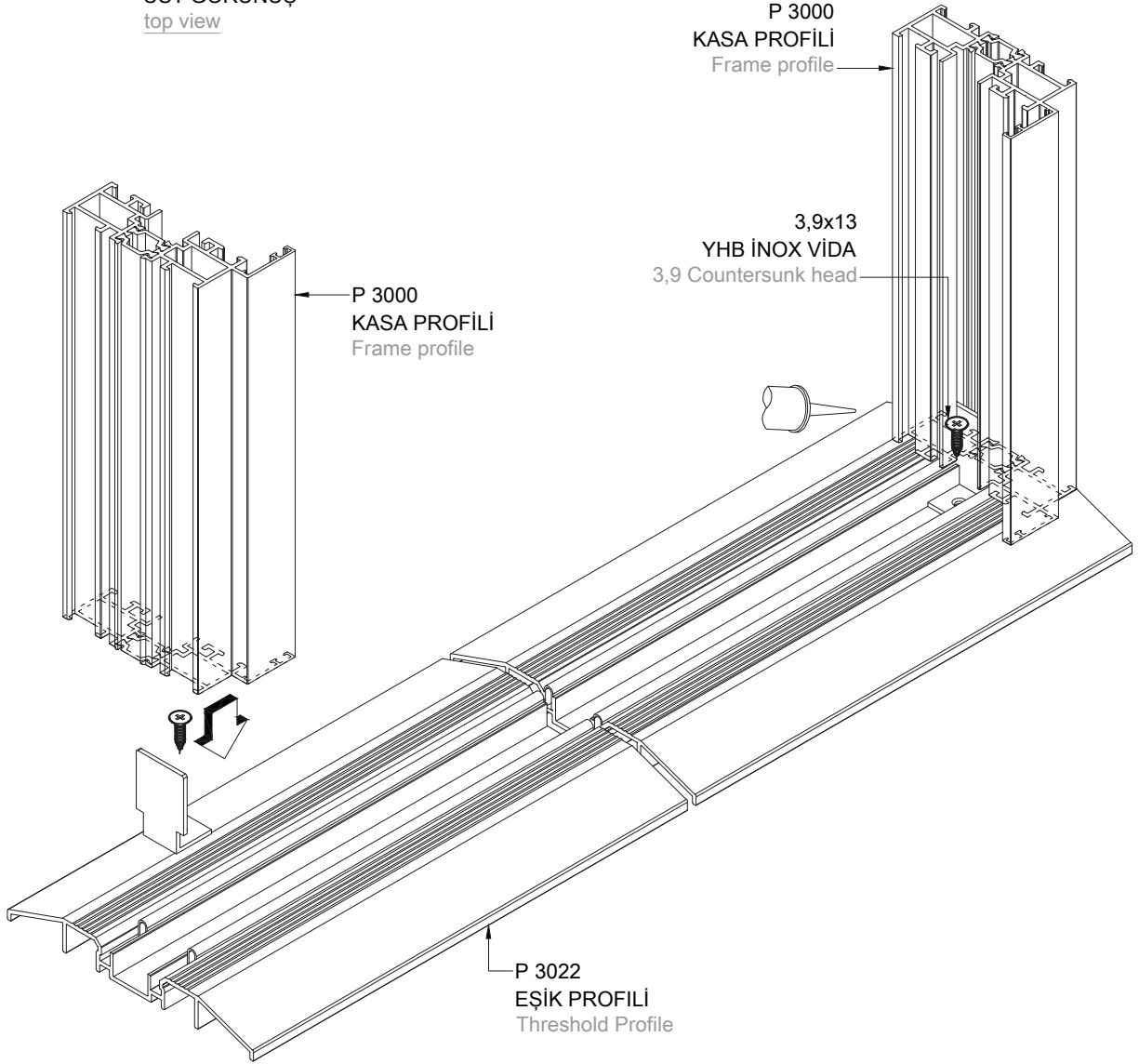
2-interior and exterior chambers of both aluminium profiles should be fill with cosmo-duo pu-200.281 epoxy.

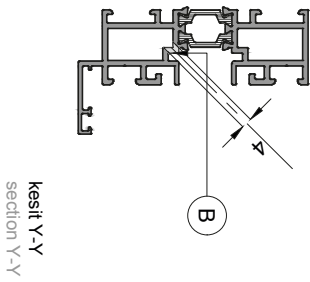
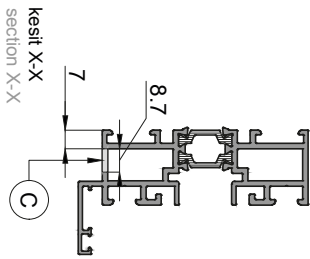
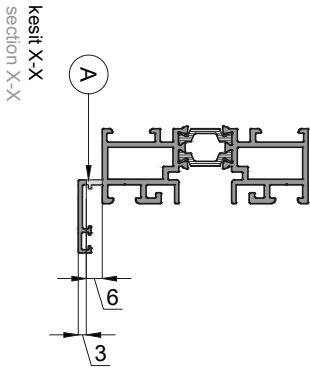
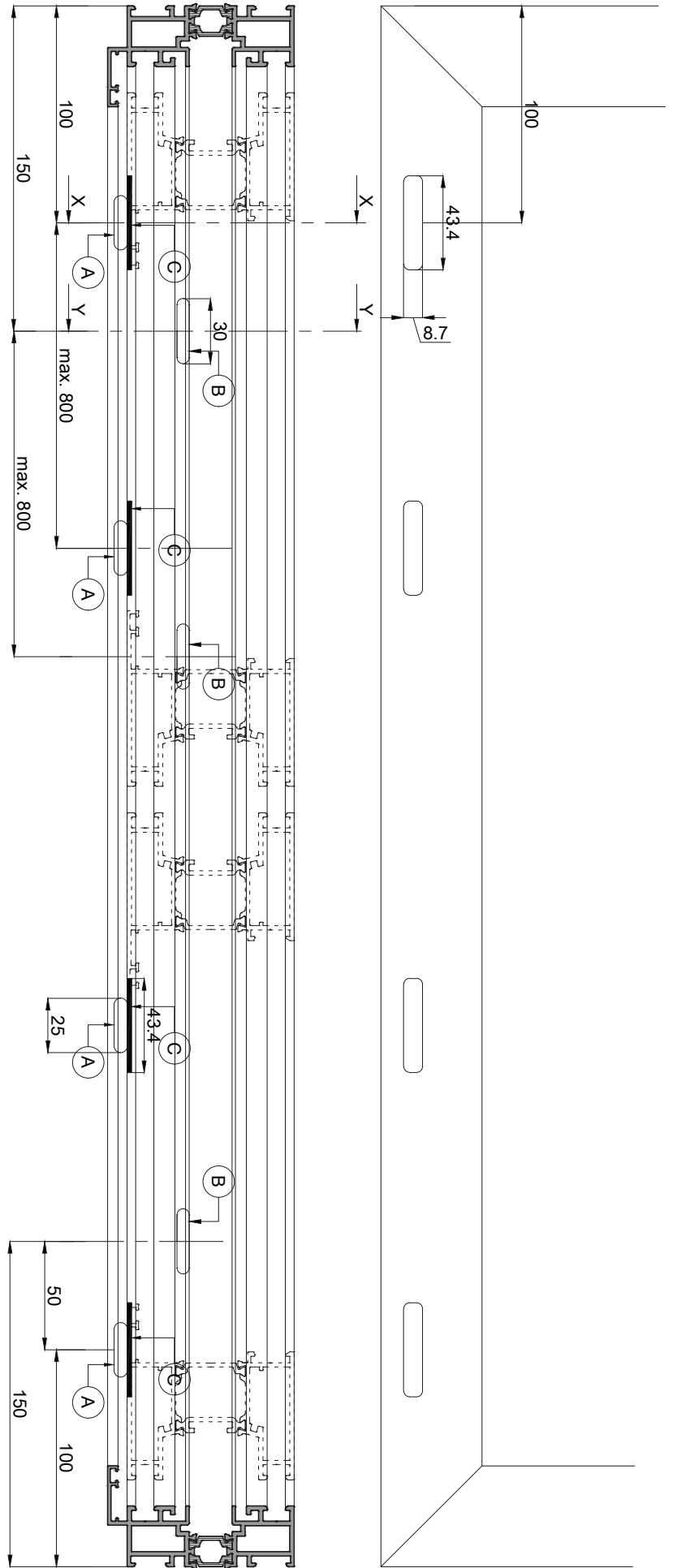


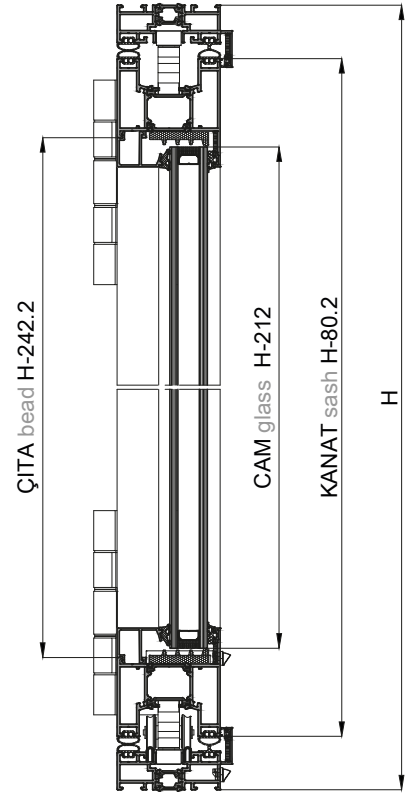
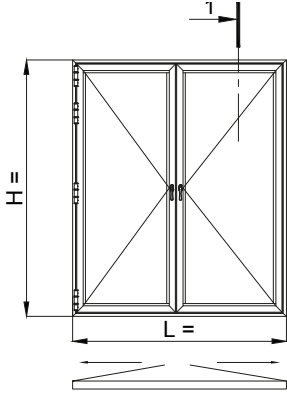




ÜST GÖRÜNÜŞ  
top view







1 KESİTİ  
section 1

### CONTA LİSTESİ-GASKET LİST

CONTA KODU GASKET COD.	MIKTAR QUANTITY	MALZEME TANIMI MATERIAL DESCRIPTION
800 105	6L 6H	BİNİ CONTASI overlap gasket
800 104	2L 2H	KANAL KAPATMA CONTASI channel closing gasket
800 218	2L 4H	DIŞ CAM CONTASI exterior glazing gasket
800 271	2L 4H	6mm İÇ CAM CONTASI 6mm interior glazing gasket
800 112	2L 4H	BİNİ CONTASI overlap gasket
800 113	2H	BİNİ CONTASI overlap gasket

### AKSESUAR LİSTESİ-ACCESSORIES LİST

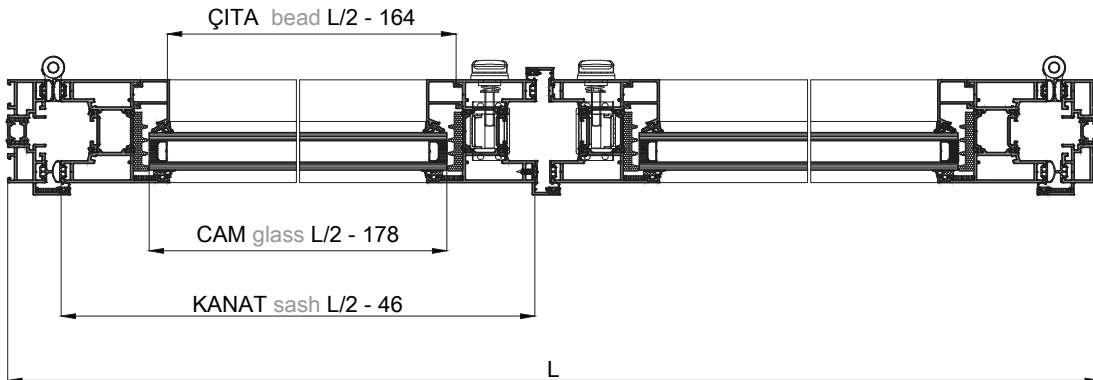
AKSESUAR ACCESSORIES	MIKTAR QUANTITY	MALZEME TANIMI MATERIAL DESCRIPTION
702 201	8ad	ARA MENTEŞE Hingle
702 205	2tk	KITLEME SETİ Locking set
702 211	2ad	130mm MINIMAL KOL 130mm handle
702 214	7ad	SU TAHLİYE KAPAGI Water drain hole cap
702 220	1ad	ÇEKME KOL Handle
702 215	12ad	PVC KÖŞE ONBAŞI Pvc corner angle
702 213	8ad	CAM TAKOZU Glass support

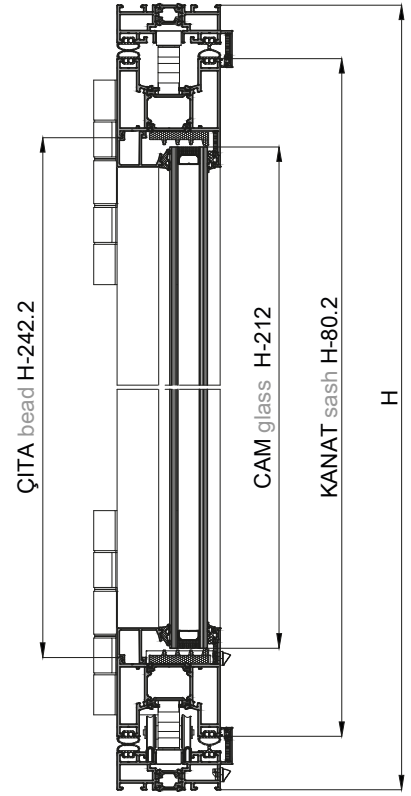
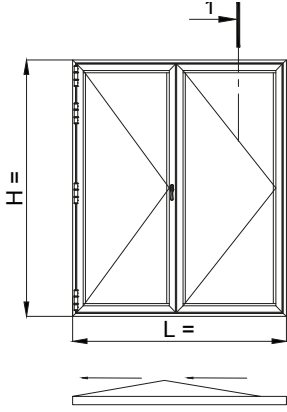
### PROFİL KESİM LİSTESİ - PROFILE CUT LİST

PRF KODU PRF. COD.	MIKTAR QUANTITY	PROFİL TANIMI PROFILE DESCRIPTION	KESİM ŞEKLİ SHAPE	KESİM ÖLÇÜSÜ SAWING LENGHT
P 3000	2ad	İKİ RAYLI KASA PROFİLİ Double Track Rail Profile		H
	2ad	İKİ RAYLI KASA PROFİLİ Double Track Rail Profile		L
P 3001	6ad	DÜŞEY KANAT PROFİLİ Vertical Sash Profile		H - 80,2
	6ad	YATAY KANAT PROFİLİ Horizontal Sash Profile		L/2 - 46
P 1158	6ad	YATAY CAM ÇİTA PROFİLİ horizontal glazing bead profile		L/2 - 164
	6ad	DÜŞEY CAM ÇİTA PROFİLİ horizontal glazing bead profile		H - 242,2
702 212	2ad	INOX RAY stainless steel rail		L - 42
P 3018	1ad	ADAPTOR PROFİLİ adaptor profile		H - 80
P 3018	1ad	ADAPTOR PROFİLİ adaptor profile		H - 105

### CAM SİPARİŞİ- GLASS ORDER

MIKTAR QUANTITY	FORMÜLASYON FORMULA
2 ADET kanat camı 2 piece sash glass	L/2 - 178 X H - 212





1 KESİTİ  
section 1

### CONTA LİSTESİ-GASKET LİST

CONTA KODU GASKET COD.	MİKTAR QUANTITY	MALZEME TANIMI MATERIAL DESCRIPTION
800 105	6L 9H	BİNİ CONTASI overlap gasket
800 104	2L 2H	KANAL KAPATMA CONTASI channel closing gasket
800 218	2L 4H	DIŞ CAM CONTASI exterior glazing gasket
800 271	2L 4H	6mm İÇ CAM CONTASI 6mm interior glazing gasket
800 112	2L 2H	BİNİ CONTASI overlap gasket
800 101	L H	BİNİ CONTASI overlap gasket

### AKSESUAR LİSTESİ-ACCESSORIES LİST

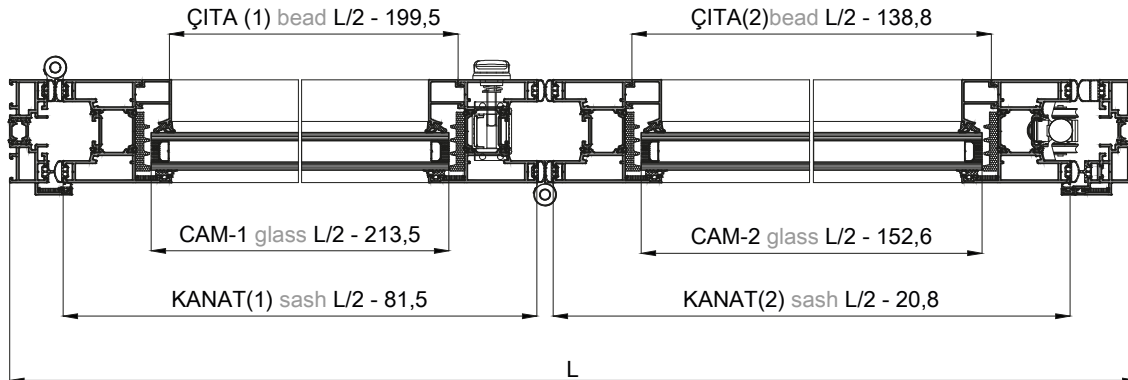
AKSESUAR ACCESSORIES	MİKTAR QUANTITY	MALZEME TANIMI MATERIAL DESCRIPTION
702 202	1ad	SON (ALT) TAŞIYICI ARABA End carriage
702 203	1ad	SON (ÜST) KLAVUZ MENTEŞE End carriage
702 201	6ad	ARA MENTEŞE Hingle
702 205	1tk	KITLEME SETİ Locking set
702 211	1ad	130mm MINİMAL KOL 130mm handle
702 214	7ad	SU TAHLİYE KAPAGI Water drain hole cap
702 220	1ad	ÇEKME KOL Handle
702 215	12ad	PVC KOŞE ONBAŞI Pvc corner angle
702 213	8ad	CAM TAKOZU Glass support

### PROFİL KESİM LİSTESİ - PROFILE CUT LİST

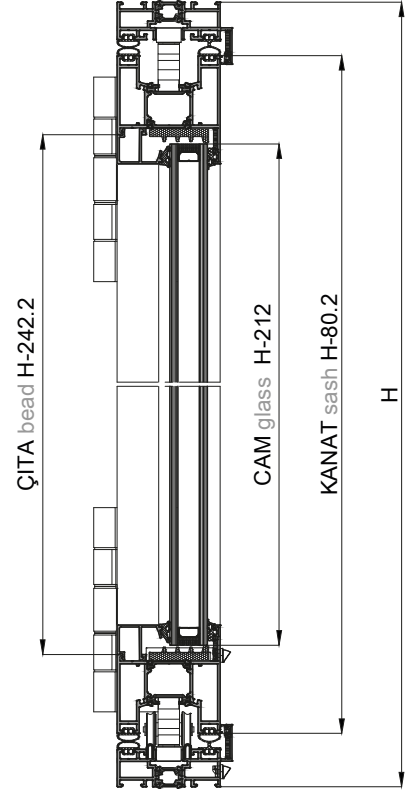
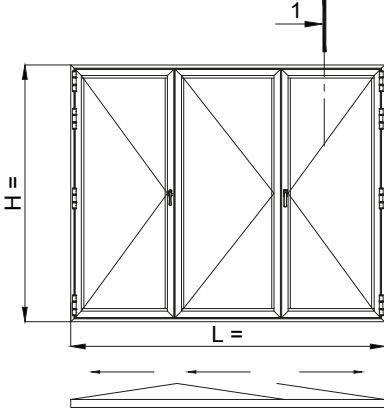
PRF KODU PRF. COD.	MİKTAR QUANTITY	PROFİL TANIMI PROFILE DESCRIPTION	KESİM ŞEKLİ SHAPE	KESİM ÖLÇÜSÜ SAWING LENGHT
P 3000	2ad	İKİ RAYLI KASA PROFİL Double Track Rail Profile		H
	2ad	İKİ RAYLI KASA PROFİL Double Track Rail Profile		L
P 3001	4ad	DÜŞEY KANAT PROFİLİ Vertical Sash Profile		H - 80,2
	2ad	YATAY KANAT PROFİLİ Horizontal Sash Profile		L/2 - 81,5
	2ad	YATAY KANAT PROFİLİ Horizontal Sash Profile		L/2 - 20,8
P 1158	2ad	YATAY CAM ÇİTA PROFİLİ horizontal glazing bead profile		L/2 - 138,8
	2ad	YATAY CAM ÇİTA PROFİLİ horizontal glazing bead profile		L/2 - 199,5
	4ad	DÜŞEY CAM ÇİTA PROFİLİ horizontal glazing bead profile		H - 242,2
P 3019	2ad	ADAPTÖR PROFİLİ adapter profile		L - 56
702 212	2ad	İNÖX RAY stainless steel rail		L - 42

### CAM SİPARİŞİ- GLASS ORDER

MİKTAR QUANTITY	FORMÜLASYON FORMÜLA
1 ADET kanat camı 1 piece sash glass	L/2-213,5 X H-212
1 ADET kanat camı 1 piece sash glass	L/2-152,6 X H-212







1 KESİTİ  
section 1

### CONTA LİSTESİ-GASKET LİST

CONTA KODU GASKET COD.	MİKTAR QUANTITY	MALZEME TANIMI MATERIAL DESCRIPTION
800 105	6L 10H	BİNİ CONTASI overlap gasket
800 104	2L 2H	KANAL KAPATMA CONTASI channel closing gasket
800 218	2L 6H	DIŞ CAM CONTASI exterior glazing gasket
800 271	2L 6H	6mm İÇ CAM CONTASI 6mm interior glazing gasket
800 112	2L 4H	BİNİ CONTASI overlap gasket
800 113	2H	BİNİ CONTASI overlap gasket

### AKSESUAR LİSTESİ-ACCESSORIES LİST

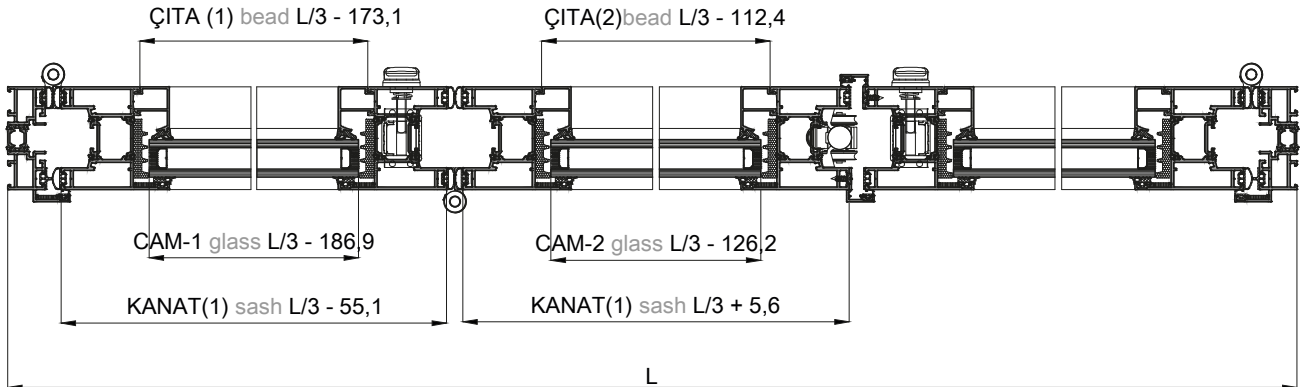
AKSESUAR ACCESSORIES	MİKTAR QUANTITY	MALZEME TANIMI MATERIAL DESCRIPTION
702 202	1ad	SON (ALT) TAŞIYICI ARABA End carriage
702 203	1ad	SON (ÜST) KLAVUZ MENTEŞE End carriage
702 201	12ad	ARA MENTEŞE Hingle
702 205	2tk	KITLEME SETİ Locking set
702 211	2ad	130mm MINİMAL KOL 130mm handle
702 214	9ad	SU TAHLİYE KAPAGI Water drain hole cap
702 220	1ad	ÇEKME KOL Handle
702 215	16ad	PVC KOŞE ONBAŞI Pvc corner angle
702 213	12ad	CAM TAKOZU Glass support
702 219	2tk	ADAPTÖR ALT ve ÜST KAPAGI Pvc cap adapter

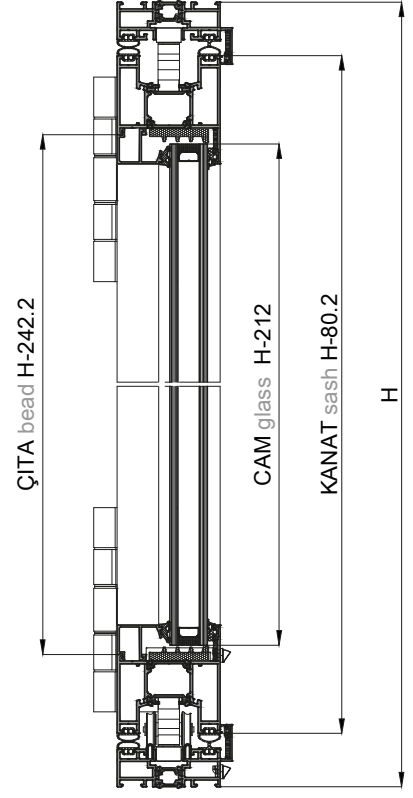
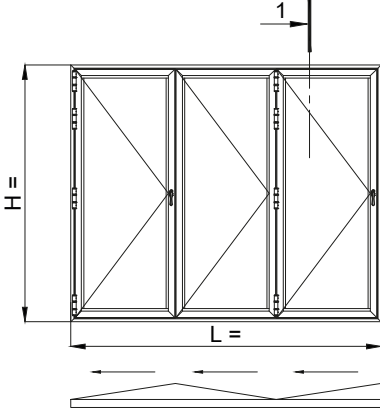
### PROFİL KESİM LİSTESİ - PROFILE CUT LİST

PRF KODU PRF. COD.	MİKTAR QUANTITY	PROFİL TANIMI PROFILE DESCRIPTION	KESİM ŞEKLİ SHAPE	KESİM ÖLÇÜSÜ SAWING LENGHT
P 3000	2ad	İKİ RAYLI KASA PROFİLİ Double Track Rail Profile		H
	2ad	İKİ RAYLI KASA PROFİLİ Double Track Rail Profile		L
P 3001	6ad	DÜŞEY KANAT PROFİLİ Vertical Sash Profile		H - 80,2
	4ad	YATAY KANAT PROFİLİ Horizontal Sash Profile		L/3 - 55,1
	2ad	YATAY KANAT PROFİLİ Horizontal Sash Profile		L/3 + 5,6
P 1158	2ad	YATAY CAM ÇİTA PROFİLİ horizontal glazing bead profile		L/3 - 173,1
	2ad	YATAY CAM ÇİTA PROFİLİ horizontal glazing bead profile		L/3 - 112,4
	6ad	DÜŞEY CAM ÇİTA PROFİLİ horizontal glazing bead profile		H - 242,2
702 212	2ad	INOX RAY stainless steel rail		L-42
P 3018	1ad	ADAPTÖR PROFİLİ adapter profile		H - 80
P 3018	1ad	ADAPTÖR PROFİLİ adapter profile		H - 105

### CAM SİPARİŞİ- GLASS ORDER

MİKTAR QUANTITY	FORMÜLASYON FORMULA
2 ADET kanat camı 2 piece sash glass	L/3-186,9 X H-212
1 ADET kanat camı 1 piece sash glass	L/3-126,2 X H-212





1 KESİTİ  
section 1

### CONTA LİSTESİ-GASKET LİST

CONTA KODU GASKET COD.	MIKTAR QUANTITY	MALZEME TANIMI MATERIAL DESCRIPTION
800 105	6L 10H	BİNİ CONTASI overlap gasket
800 104	2L 2H	KANAL KAPATMA CONTASI channel closing gasket
800 218	2L 6H	DIŞ CAM CONTASI exterior glazing gasket
800 271	2L 6H	6mm İÇ CAM CONTASI 6mm interior glazing gasket
800 112	2L 3H	BİNİ CONTASI overlap gasket
800 113	H	BİNİ CONTASI overlap gasket

### AKSESUAR LİSTESİ-ACCESSORIES LİST

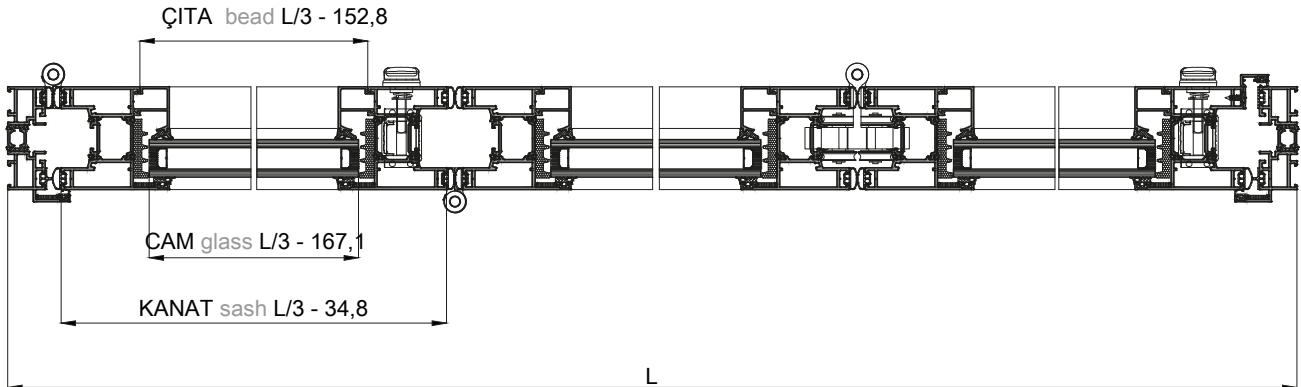
AKSESUAR ACCESSORIES	MIKTAR QUANTITY	MALZEME TANIMI MATERIAL DESCRIPTION
702 206	1ad	ALT TAŞIYICI ARABA Lower carrier roller
702 204	1ad	ÜST KLAVUZ MENTEŞE Top guide hinge
702 201	10ad	ARA MENTEŞE Hingle
702 205	2tk	KİTLEME SETİ Locking set
702 211	2ad	130mm MINİMAL KOL 130mm handle
702 214	9ad	SU TAHLİYE KAPAGI Water drain hole cap
702 220	1ad	ÇEKME KOL Handle
702 215	16ad	PVC KOŞE ONBAŞI Pvc corner angle
702 213	12ad	CAM TAKOZU Glass support
702 219	2tk	ADAPTÖR ALT ve ÜST KAPAGI Pvc cap adapter

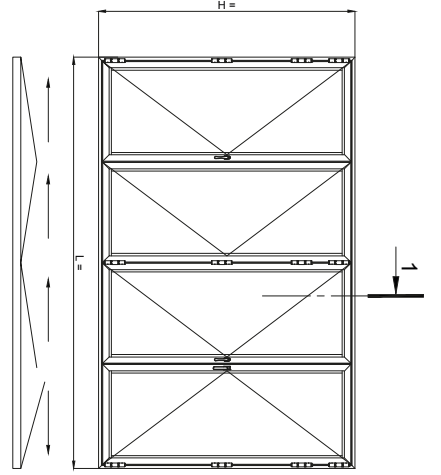
### PROFİL KESİM LİSTESİ - PROFILE CUT LİST

PRF KODU PRF. COD.	MIKTAR QUANTITY	PROFİL TANIMI PROFILE DESCRIPTION	KESİM ŞEKLİ SHAPE	KESİM ÖLÇÜSÜ SAWING LENGHT
P 3000	2ad	İKİ RAYLI KASA PROFİLİ Double Track Rail Profile		H
	2ad	İKİ RAYLI KASA PROFİLİ Double Track Rail Profile		L
P 3001	6ad	DÜŞEY KANAT PROFİLİ Vertical Sash Profile		H - 80,2
	6ad	YATAY KANAT PROFİLİ Horizontal Sash Profile		L/3 - 34,8
P 1158	6ad	YATAY CAM ÇİTA PROFİLİ horizontal glazing bead profile		L/3 - 152,8
	6ad	DÜŞEY CAM ÇİTA PROFİLİ horizontal glazing bead profile		H - 242,2
702 212	2ad	INOX RAY stainless steel rail		L-42
P 3018	1ad	ADAPTÖR PROFİLİ adapter profile		H - 80
P 3018	1ad	ADAPTÖR PROFİLİ adapter profile		H - 105

### CAM SİPARİŞİ- GLASS ORDER

MIKTAR QUANTITY	FORMÜLASYON FORMULA
3 ADET kanat camı 3 piece sash glass	L/3-167,1 X H-212



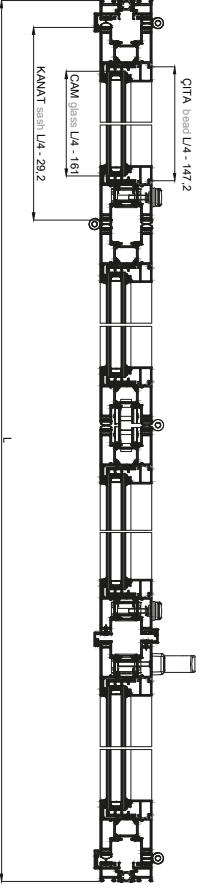


CONTALİSTESİ-GASKET LİST

CONTALİSTESİ GASKET KODU	MİKTAR QUANTITY	MALZEME TANIMI MATERIAL DESCRIPTION
800 105	6L	BİNİ CONTASI overlap gasket
800 104	14H	KANAL KABATLMA CONTASI channel ceiling gasket
800 218	2L	DİŞ CAM CONTASI exterior gasket
800 271	6H	6mm İÇ CAM CONTASI 6mm interior glazing gasket
800 112	4H	BİNİ CONTASI overlap gasket
800 113	2H	BİNİ CONTASI overlap gasket

PROFİL KESİM LİSTESİ - PROFILE CUT LIST

PRF. KODU PRF. COD.	MİKTAR QUANTITY	PROFİL TANIMI PROFILE DESCRIPTION	KESİM SEKİLİ SHAPE	KESİM ÖLÇÜSÜ SAWING LENGHT
P 3000	2ad	İKİ RAYLI KAŞA PROFİL Double Track Rail Profile		H
P 3001	8ad	DÜŞEY KANAT PROFİL Vertical Sash Profile		H - 80,2
P 1158	8ad	YATAY CAM ÇİTA PROFİL Horizontal Glazing Bead Profile		L/4 - 147,2
702 212	2ad	DÜŞEY CAM ÇİTA PROFİL Horizontal Glazing Bead Profile		H - 242,2
P 3018	1ad	ADAPTÖR PROFİL ADAPTOR PROFILE		L-42
P 3018	1ad	ADAPTÖR PROFİL ADAPTOR PROFILE		H - 80
P 3018	1ad	ADAPTÖR PROFİL ADAPTOR PROFILE		H - 105

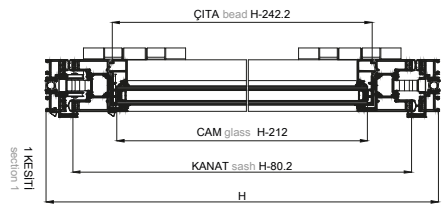


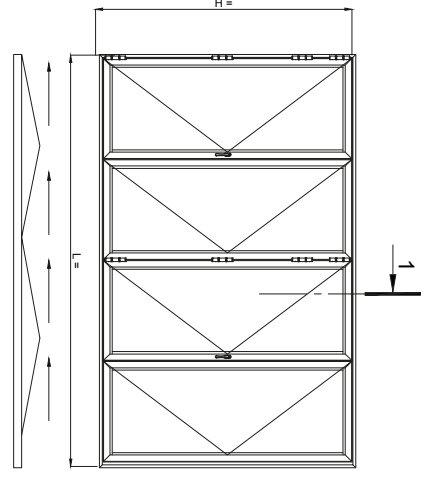
AKSESUAR LİSTESİ-ACCESSORIES LİST

AKSESUAR ACCESSORIES	MİKTAR QUANTITY	MALZEME TANIMI MATERIAL DESCRIPTION
702 206	1ad	ALT TAŞIYICI ARABA Lower roller carriage
702 204	1ad	ÜST KLAVUZ MENTEŞE Upper roller guide
702 201	14ad	ARA MENTEŞE Middle rollers
702 205	3K	KİLİME SETİ Locking set
702 211	3ad	130mm MİNİMAL KOL 130mm minimal handle
702 214	12ad	SU TAHLİLE KAPAĞI Water drain noise cap
702 220	1ad	ÇEKME KOL HANDLE
702 215	20ad	PVC KOŞE OMBASI PVC corner angle
702 213	16ad	CAM TAKOZU Glass support
702 219	2K	ADAPTÖR ALT ve ÜST KAPAĞI PVC cap adapter

CAM SİPARİŞİ- GLASS ORDER

MİKTAR QUANTITY	FORMÜLASYON FORMULA
4 ADET kanat camı 4 piece sash glass	L/4-161 X H-212





CONTA KODU GASKET COD.	MIKTAR QUANTITY	MALZEME TANIMI MATERIAL DESCRIPTION
800 105	6L	BINI CONTASI overlap gasket
800 104	14H	KANAL KABATLAMA CONTASI channel idling gasket
800 218	2L	DİS CAM CONTASI sliding gasket
800 271	6H	6mm İÇ CAM CONTASI 6mm inner glazing gasket
800 112	4H	BINI CONTASI overlap gasket
800 113	2H	BINI CONTASI overlap gasket

PROFIL KESİM LİSTESİ - PROFILE CUT LIST

PRF. KODU PRF. COD.	MIKTAR QUANTITY	PROFİL TANIMI PROFILE DESCRIPTION	KESİM SEKİLİ SHAPE	KESİM ÖLÇÜSÜ SAWING LENGHT
P 3000	2ad	İKİ RAYLI KAKSA PROFİL Double Track Rail Profile		H
P 3001	8ad	DÜŞEY KANAT PROFİLİ Vertical Sash Profile		H - 80,2
	6ad	YATAY KANAT PROFİLİ Horizontal Sash Profile		L/4 - 47
	2ad	YATAY CAM ÇİTA PROFİLİ Horizontal Sash Profile		L/4 + 14,3
P 1158	6ad	YATAY KANAT PROFİLİ Horizontal Sash Profile		L/4 - 165
	2ad	YATAY CAM ÇİTA PROFİLİ Horizontal Sash Profile		L/4 - 103,7
	8ad	DÜŞEY CAM ÇİTA PROFİLİ Vertical Sash Profile		H - 242,2
702 212	2ad	INOX RAY stainless steel rail		L-42
P 3018	1ad	ADAPTOR PROFİLİ adaptor profile		H - 80
P 3018	1ad	ADAPTOR PROFİLİ adaptor profile		H - 105

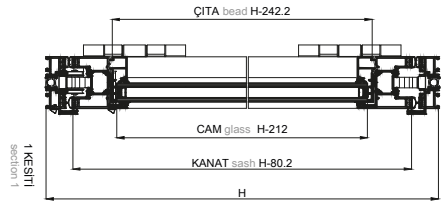
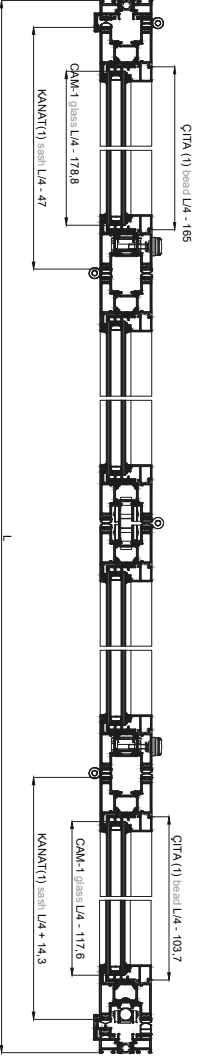
CONTA LİSTESİ-GASKET LIST

AKSESUAR LİSTESİ-ACCESSORIES LIST

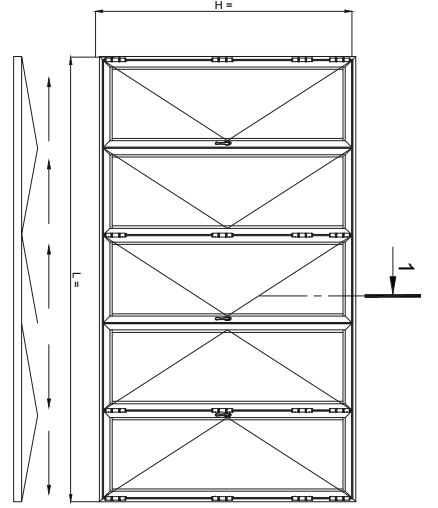
AKSESUAR ACCESSORIES	MIKTAR QUANTITY	MALZEME TANIMI MATERIAL DESCRIPTION
702 206	1ad	AKT TAŞIYICI ARABA door roller
702 204	1ad	ÜST KLAVUZ MENTEŞE Top roller
702 202	1ad	SÖN (A.U.T) TAŞIYICI ARABA End roller
702 203	1ad	SÖN (ÜST) KLAVUZ MENTEŞE End roller
702 201	14ad	ARA MENTEŞE roller
702 205	2K	KİLİME SETİ Loading set
702 211	2ad	130mm MINİMAL KOL 130mm handle
702 214	12ad	SU TAHLİLE KAPAĞI Water drain hole cap
702 220	1ad	ÇEKME KOL Handle
702 215	20ad	PVC KOŞE OMBASI Pvc corner finble
702 213	16ad	CAM TAKOZU Glass support

CAM SİPARİŞİ: GLASS ORDER

MIKTAR QUANTITY	FORMÜLASYON FORMULA
3 ADET kanat camı 3 piece sash glass	L/4-178,8 X H-212
1 ADET kanat camı 1 piece sash glass	L/4-117,6 X H-212



1 KESİM  
section 1



CONTA KODU GASKET COD.	MIKTAR QUANTITY	MALZEME TANIMI MATERIAL DESCRIPTION
800 105	6L	BINI CONTASI overlap gasket
800 104	2L 2H	KANAL KABATLAMA CONTASI channel idling gasket
800 218	2L	DİS CAM CONTASI sliding gasket
800 271	10H	6mm İÇ CAM CONTASI 6mm inner glazing gasket
800 112	4H	BINI CONTASI overlap gasket
800 113	2H	BINI CONTASI overlap gasket

PROFIL KESİM LİSTESİ - PROFILE CUT LIST

PRF. KODU PRF. COD.	MIKTAR QUANTITY	PROFİL TANIMI PROFILE DESCRIPTION	KESİM SEKİLİ SHAPE	KESİM ÖLÇÜSÜ SAWING LENGHT
P 3000	2ad	İKİ RAYLI KAKAŞA PROFİL Double Track Rail Profile		H
P 3001	2ad	DÜŞEY KANAT PROFİLİ Vertical Sash Profile		L
P 1158	8ad	YATAY KANAT PROFİLİ Horizontal Sash Profile		H - 80,2
	2ad	YATAY KANAT PROFİLİ Horizontal Sash Profile		H - 23,2
	2ad	YATAY CAM ÇİTA PROFİLİ Horizontal Sash Profile		L/5 - 155,8
	10ad	DÜŞEY CAM ÇİTA PROFİLİ Vertical Sash Profile		L/5 - 94,8
702 212	2ad	INOX RAY stainless steel rail		H - 242,2
P 3018	1ad	ADAPTOR PROFİLİ adaptor profile		L-42
P 3018	1ad	ADAPTOR PROFİLİ adaptor profile		H - 80
P 3018	1ad	ADAPTOR PROFİLİ adaptor profile		H - 105

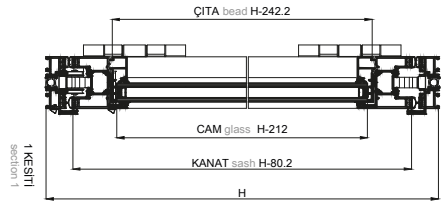
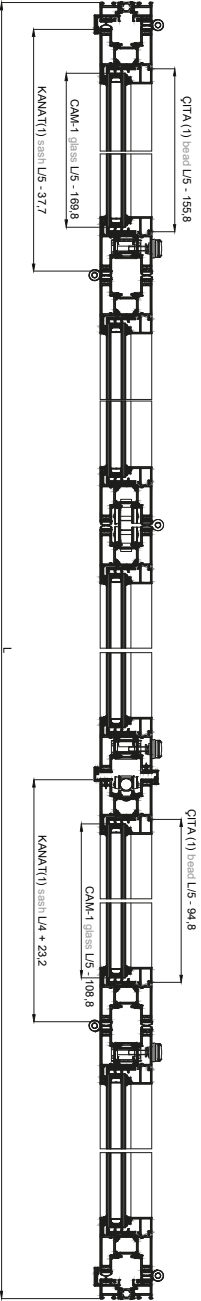
CONTA LİSTESİ-GASKET LİST

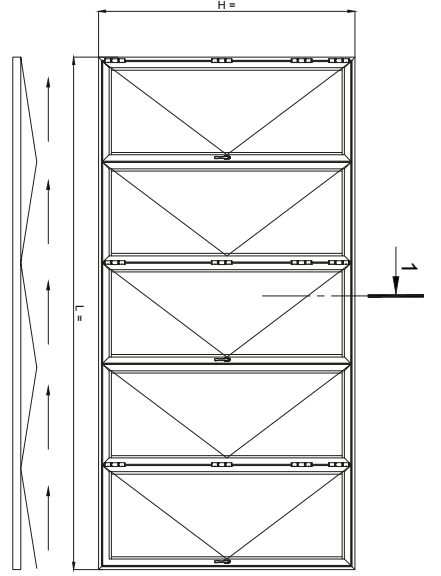
AKSESUAR LİSTESİ-ACCESSORIES LİST

AKSESUAR ACCESSORIES	MIKTAR QUANTITY	MALZEME TANIMI MATERIAL DESCRIPTION
702 206	1ad	ALT TAŞIYICI ARABA Lower roller
702 204	1ad	ÜST KLAVUZ MENTEŞE Top roller
702 202	1ad	SÖN (AÜT) TAŞIYICI ARABA End roller
702 203	1ad	SÖN (ÜST) KLAVUZ MENTEŞE End roller
702 201	18ad	ARA MENTEŞE roller
702 205	3K	KİLİME SETİ Loading set
702 211	3ad	130mm MINİMAL KOL 130mm handle
702 214	14ad	SU TAHLİLE KAPAĞI Water drain hole cap
702 220	1ad	ÇEKME KOL Handle
702 215	24ad	PVC KOŞE ÖNBASI Pvc corner fanble
702 213	20ad	CAM TAKOZU Glass support
702 219	2K	ADAPTOR ALT ve ÜST KAPAĞI Pvc cap adaptor

CAM SİPARİŞİ- GLASS ORDER

MIKTAR QUANTITY	FORMÜLASYON FORMULA
4 ADET	4 piece sash glass
1 ADET	1 piece sash glass





CONTALİSTESİ-GASKET LİST	CONTALİSTESİ-GASKET LİST	
GASKET KODU	MİKTAR QUANTITY	MALZEME TANIMI MATERIAL DESCRIPTION
800 105	6L 20H	BİNİ CONTASI overlap gasket
800 104	2L 2H	KANAL KABATLMA CONTASI channel closing gasket
800 218	2L 10H	DİŞ CAM CONTASI external glazing gasket
800 271	2L 10H	İÇ CAM CONTASI internal glazing gasket
800 112	2L 3H	BİNİ CONTASI overlap gasket
800 113	2H	BİNİ CONTASI overlap gasket

PROFİL KESİM LİSTESİ - PROFILE CUT LIST

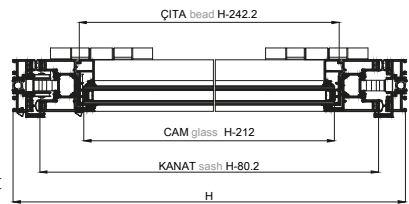
PRF. KODU PRF. COD.	MİKTAR QUANTITY	PROFİL TANIMI PROFILE DESCRIPTION	KESİM SEKİLİ SHAPE	KESİM UÇUŞU SAVING LENGHT
P 3000	2ad	İKİ RAYLI KAŞA PROFİL Double Track Rail Profile		H
P 3001	10ad	DÜŞEY KANAT PROFİLİ Vertical Sash Profile		H - 80,2
P 1158	10ad	YATAY KANAT PROFİLİ Horizontal Sash Profile		U/5 - 25,6
702 212	2ad	DUŞEY CAM ÇİTA PROFİLİ Vertical Glazing Bead Profile		U/5 - 143,6
P 3018	1ad	ADAPTÖR PROFİLİ Adapter profile		H - 242,2
				L-42
				H - 80

AKSESUAR ACCESSORIES	MİKTAR QUANTITY	MALZEME TANIMI MATERIAL DESCRIPTION
702 206	2ad	ALT TAŞIYICI ARABA Lower roller carrier
702 204	2ad	ÜST KLAVUZ MENTEŞE Top roller hanger
702 201	16ad	ARA MENTEŞE Hinge
702 205	3K	KİLİME SETİ Locking set
702 211	3ad	130mm MİNİMAL KOL 130mm minimal handle
702 214	14ad	SU TAHLİLE KAPAĞI Water drain hole cap
702 220	1ad	ÇEKME KOL Handle
702 215	20ad	PVC KOŞE OMBASI PVC corner angle
702 213	16ad	CAM TAKOZU Glass support
702 219	1K	ADAPTÖR ALT ve ÜST KAPAĞI Pvc cap adapter

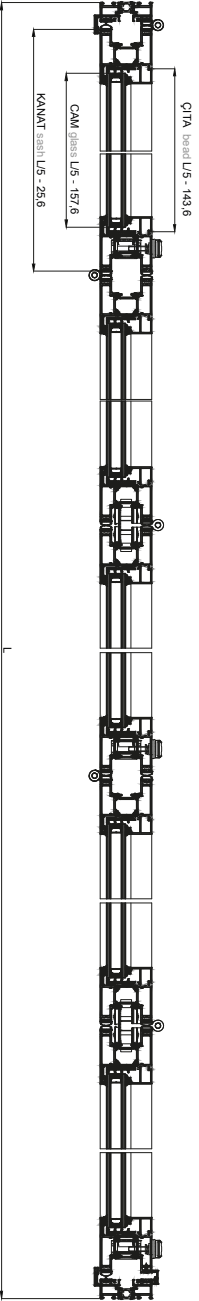
AKSESUAR LİSTESİ-ACCESSORIES LIST

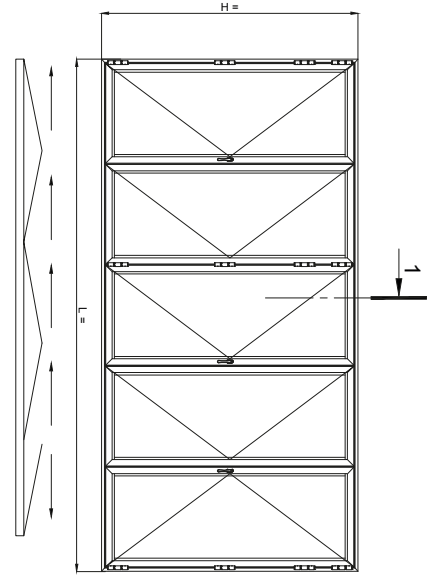
CAM SİPARİŞİ- GLASS ORDER

MİKTAR QUANTITY	FORMÜLASYON FORMULA
5 ADET kanat camı 5 piece sash glass	U/5-157,6 X H-212



1 KESİM  
section 1





CONTA KODU GASKET COD.	MIKTAR QUANTITY	MALZEME TANIMI MATERIAL DESCRIPTION
800 105	6L	BINI CONTASI overlap gasket
800 104	2L	KANAL KABATLAMA CONTASI channel idling gasket
800 218	2L	DİS CAM CONTASI sliding glazing gasket
800 271	10H	6mm İÇ CAM CONTASI 6mm inner glazing gasket
800 112	4H	BINI CONTASI overlap gasket
800 113	2H	BINI CONTASI overlap gasket

PROFIL KESİM LİSTESİ - PROFILE CUT LIST

PRF. KODU PRF. COD.	MIKTAR QUANTITY	PROFİL TANIMI PROFILE DESCRIPTION	KESİM SEKİLİ SHAPE	KESİM ÖLÇÜSÜ SAWING LENGHT
P 3000	2ad	İKİ RAYLI KAKSA PROFİL Double Track Rail Profile		H
P 3001	10ad	DÜŞEY KANAT PROFİLİ Vertical Sash Profile		H - 80,2
	8ad	YATAY KANAT PROFİLİ Horizontal Sash Profile		H - 37,7
	2ad	YATAY KANAT PROFİLİ Horizontal Sash Profile		U/5 + 23,2
P 1158	8ad	YATAY CAM ÇİTA PROFİLİ Horizontal Glazing Bead Profile		U/5 - 155,8
	2ad	YATAY CAM ÇİTA PROFİLİ Horizontal Glazing Bead Profile		U/5 - 94,8
	10ad	DÜŞEY CAM ÇİTA PROFİLİ Vertical Glazing Bead Profile		H - 242,2
702 212	2ad	INOX RAY stainless steel rail		L-42
P 3018	1ad	ADAPTOR PROFİLİ adaptor profile		H - 80
P 3018	1ad	ADAPTOR PROFİLİ adaptor profile		H - 105

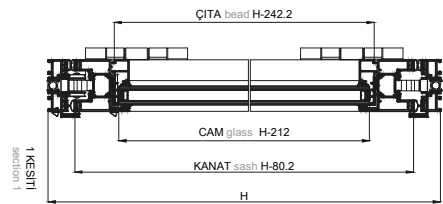
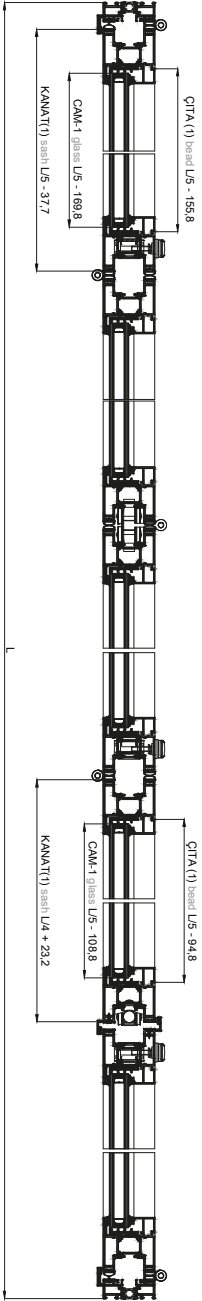
CONTA LİSTESİ-GASKET LIST

AKSESUAR LİSTESİ-ACCESSORIES LIST

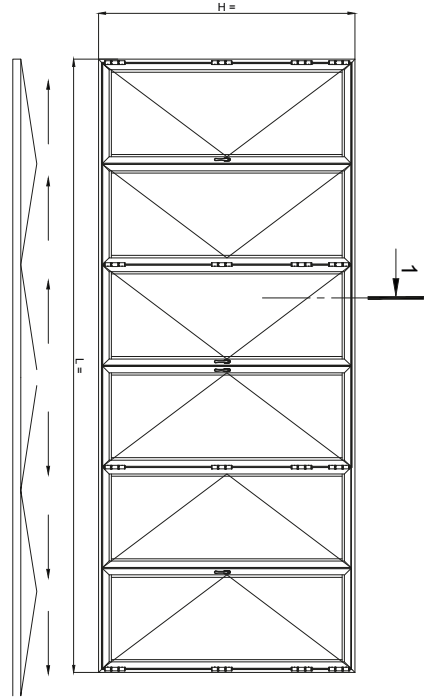
AKSESUAR ACCESSORIES	MIKTAR QUANTITY	MALZEME TANIMI MATERIAL DESCRIPTION
702 206	1ad	ALT TAŞIYICI ARABA lower roller car
702 204	1ad	ÜST KLAVUZ MENTEŞE top roller
702 202	1ad	SON (ALT) TAŞIYICI ARABA End car
702 203	1ad	SON (ÜST) KLAVUZ MENTEŞE End roller
702 201	18ad	ARA MENTEŞE roller
702 205	3K	KİLİME SETİ Loading set
702 211	3ad	130mm MINİMAL KOL 130mm handle
702 214	14ad	SU TAHLİLE KAPAĞI Water drain hole cap
702 220	1ad	ÇEKME KOL Handle
702 215	24ad	PVC KOŞE ÖNBASI Pvc corner fanble
702 213	20ad	CAM TAKOZU Glass support
702 219	2K	ADAPTOR ALT ve ÜST KAPAĞI Pvc cap adaptor

CAM SİPARİŞİ- GLASS ORDER

MIKTAR QUANTITY	FORMÜLASYON FORMULA
4 ADET kanat camı 4 piece sash glass	U/5-169,8 X H-212
1 ADET kanat camı 1 piece sash glass	U/5-108,8 X H-212



1 KESİM  
section 1



CONTALİSTESİ-GASKET LİST

CONTALİSTESİ GASKET CODU	MİKTAR QUANTITY	MALZEME TANIMI MATERIAL DESCRIPTION
800 105	6L 22H	BİNİ CONTASI overlap gasket
800 104	2L 2H	KANAL KABATLMA CONTASI channel ceiling gasket
800 218	2L 12H	DİŞ CAM CONTASI external glazing gasket
800 271	2L 12H	İÇ CAM CONTASI internal glazing gasket
800 112	4H	BİNİ CONTASI overlap gasket
800 113	2H	BİNİ CONTASI overlap gasket

PROFİL KESİM LİSTESİ - PROFILE CUT LIST

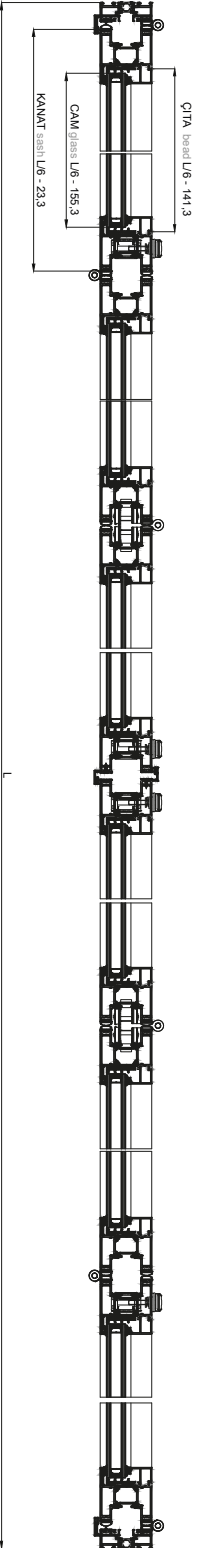
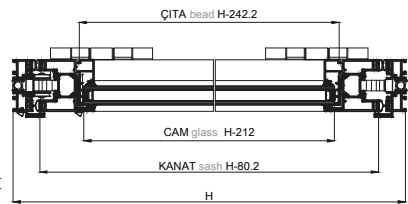
PRF. KODU PRF. COD.	MİKTAR QUANTITY	PROFİL TANIMI PROFILE DESCRIPTION	KESİM SEKİLİ SHAPE	KESİM ÖLÇÜSÜ SAWING LENGHT
P 3000	2ad	İKİ RAYLI KAKŞA PROFİL Double Track Rail Profile		H
P 3001	10ad	DÜŞEY KANAT PROFİLİ Vertical Sash Profile		H - 80.2
P 1158	10ad	YATAY KANAT PROFİLİ Horizontal Sash Profile		L/6 - 141.3
702 212	2ad	DUŞEY CAM ÇİTA PROFİLİ Vertical Glazing Used Profile		H - 242.2
P 3018	1ad	ADAPTÖR PROFİLİ adaptor profile		H - 80
P 3018	1ad	ADAPTÖR PROFİLİ adaptor profile		H - 105

AKSESUAR LİSTESİ-ACCESSORIES LİST

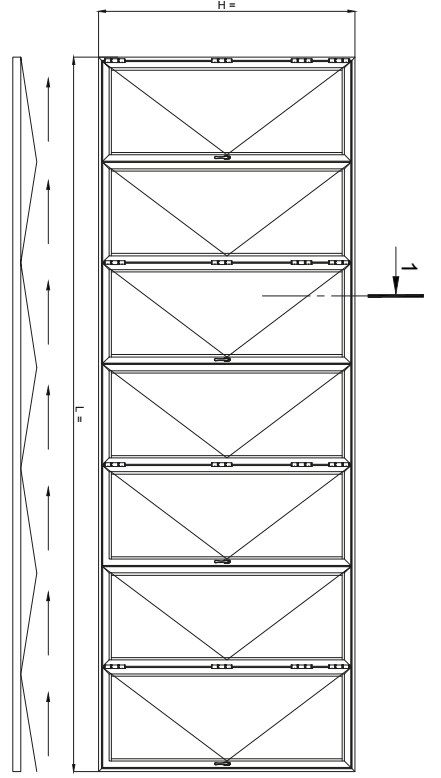
AKSESUAR ACCESSORIES	MİKTAR QUANTITY	MALZEME TANIMI MATERIAL DESCRIPTION
702 206	2ad	ALT TAŞIYICI ARABA Lower roller carrier
702 204	2ad	ÜST KLAVUZ MENTEŞE Top roller carrier
702 201	20ad	ARA MENTEŞE Hinge
702 205	4K	KİLİME SETİ Locking set
702 211	4ad	130mm MİNİMAL KOL 130mm handle
702 214	16ad	SU TAHLİLE KAPAĞI Water drain hole cap
702 220	2ad	ÇEKME KOL Handle
702 215	28ad	PVC KOŞE OMBASI PVC corner angle
702 213	24ad	CAM TAKOZU Glass support
702 219	2K	ADAPTÖR ALT ve ÜST KAPAĞI Pvc cap adaptor

CAM SİPARİŞİ- GLASS ORDER

MİKTAR QUANTITY	FORMÜLASYON FORMULA
6 ADET kanat camı 6 piece sash glass	L/6-155.3 X H-212







CONTALİSTESİ-GASKET LİST

CONTALİSTESİ GASKET KODU	MİKTAR QUANTITY	MALZEME TANIMI MATERIAL DESCRIPTION
800 105	6L	BİNİ CONTASI overlap gasket
800 104	2L	KANAL KABATLMA CONTASI channel channeling gasket
800 218	2L	DİŞ CAM CONTASI exterior glazing gasket
800 271	14H	6mm İÇ CAM CONTASI 6mm interior glazing gasket
800 112	3H	BİNİ CONTASI overlap gasket
800 113	H	BİNİ CONTASI overlap gasket

PROFİL KESİM LİSTESİ - PROFILE CUT LIST

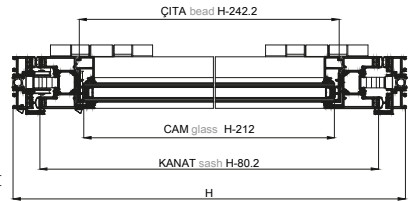
PRF. KODU PRF. COD.	MİKTAR QUANTITY	PROFİL TANIMI PROFILE DESCRIPTION	KESİM SEKİLİ SHAPE	KESİM ÖLÇÜSÜ SAWING LENGHT
P 3000	2ad	İKİ RAYLI KAKŞA PROFİL Double Track Rail Profile		H
P 3001	10ad	DÜŞEY KANAT PROFİL Vertical Sash Profile		H - 80,2
P 1158	10ad	YATAY CAM ÇİTA PROFİL HORIZONTAL DEĞİRMEN BEZEL PROFİL		L7 - 139,7
702 212	2ad	DÜŞEY CAM ÇİTA PROFİL HORIZONTAL DEĞİRMEN BEZEL PROFİL		H - 242,2
P 3018	1ad	ADAPTÖR PROFİL		H - 80
P 3018	1ad	ADAPTÖR PROFİL		H - 105

AKSESUAR LİSTESİ-ACCESSORIES LİST

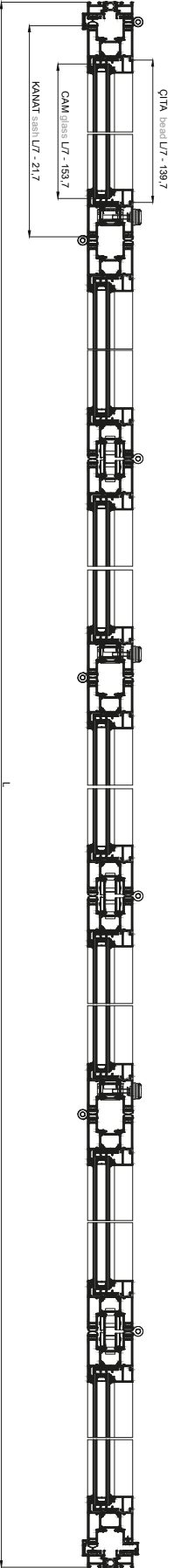
AKSESUAR ACCESSORIES	MİKTAR QUANTITY	MALZEME TANIMI MATERIAL DESCRIPTION
702 206	3ad	ALT TAŞIYICI ARABA Lower roller roller
702 204	3ad	ÜST KLAVUZ MENTEŞE Upper roller roller
702 201	22ad	ARA MENTEŞE HİPİPİPİ
702 205	4K	KİLİME SETİ Locking set
702 211	4ad	130mm MİNİMAL KOL 130mm mini handle
702 214	18ad	SU TAHLİLE KAPAĞI Water drain hole cap
702 220	3ad	ÇEKME KOL HANDLE
702 215	32ad	PVC KOŞE OMBASI PVC corner angle
702 213	28ad	CAM TAKOZU Glass support
702 219	1K	ADAPTÖR ALT ve ÜST KAPAĞI PVC cap adapter

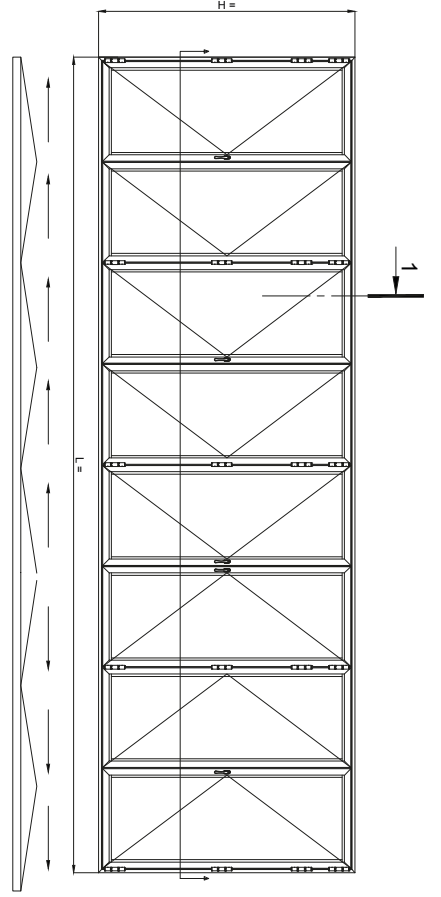
CAM SİPARİŞİ- GLASS ORDER

MİKTAR QUANTITY	FORMÜLASYON FORMULA
6 ADET kanat camı 6 piece sash glass	L7-153,7 X H-212



1 KESİTİ section 1





CONTA KODU GASKET COD.	MİKTAR QUANTITY	MALZEME TANIMI MATERIAL DESCRIPTION
800 105	6L 30H	BİNİ CONTASI overlap gasket
800 104	2L 2H	KANAL KABATLAMA CONTASI channel edging gasket
800 218	2L 16H	DİŞ CAM CONTASI external glazing gasket
800 271	2L 16H	İÇ CAM CONTASI internal glazing gasket
800 112	2L 4H	BİNİ CONTASI overlap gasket
800 113	2H	BİNİ CONTASI overlap gasket

PROFİL KESİM LİSTESİ - PROFILE CUT LIST

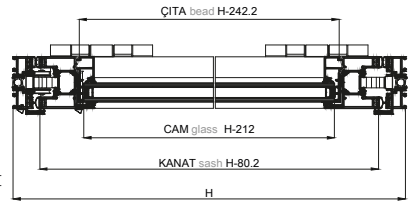
PRF. KODU PRF. COD.	MİKTAR QUANTITY	PROFİL TANIMI PROFILE DESCRIPTION	KESİM SEKİLİ SHAPE	KESİM ÖLÇÜSÜ SAWING LENGHT
P 3000	2ad	İKİ RAYLI KAKAŞA PROFİL Double Track Rail Profile		H
P 3001	10ad	DÜŞEY KANAT PROFİLİ Vertical Sash Profile		H - 80,2
P 1158	10ad	YATAY KANAT PROFİLİ Horizontal Sash Profile		L/8 - 138,5
702 212	2ad	DÜŞEY CAM ÇİTA PROFİLİ Vertical Glazing Used Profile		H - 242,2
P 3018	1ad	HOK KAYI Island rail		L-42
P 3018	1ad	ADAPTOR PROFİLİ adaptor profile		H - 80
P 3018	1ad	ADAPTOR PROFİLİ adaptor profile		H - 105

AKSESUAR LİSTESİ-ACCESSORIES LIST

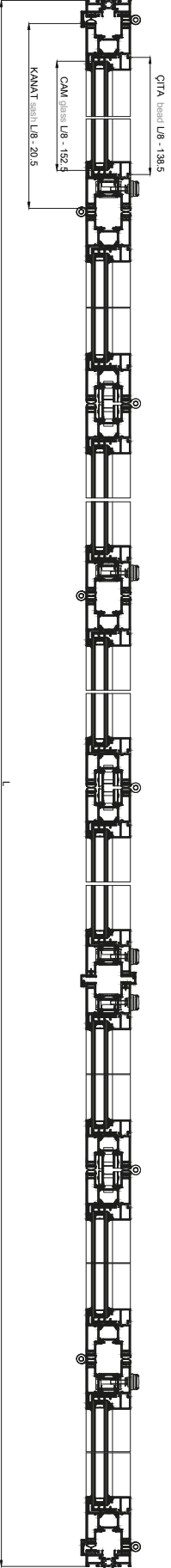
AKSESUAR ACCESSORIES	MİKTAR QUANTITY	MALZEME TANIMI MATERIAL DESCRIPTION
702 206	3ad	ALT TAŞIYICI ARABA Lower roller carrier
702 204	3ad	ÜST KLAVUZ MENTEŞE Top roller hanger
702 201	26ad	ARA MENTEŞE Hinge
702 205	5K	KİLİME SETİ Locking set
702 211	5ad	130mm MİNİMAL KOL 130mm handle
702 214	20ad	SU TAHLİLE KAPAĞI Water drain hole cap
702 220	4ad	ÇEKME KOL Handle
702 215	36ad	PVC KOŞE OMBASI PVC corner angle
702 213	32ad	CAM TAKOZU Glass support
702 219	2K	ADAPTOR ALT ve ÜST KAPAĞI Pvc cap adaptor

CAM SİPARİŞİ- GLASS ORDER

MİKTAR QUANTITY	FORMÜLASYON FORMULA
8 ADET	L/8-152,5 X H-212



1 KESİTİ  
section 1



A series of horizontal dotted lines for writing, spanning the width of the page.



A series of horizontal dotted lines for writing, spanning the width of the page.

since

1980

[www.saray.com](http://www.saray.com)

TR | ENG



**PANORAMA**

Katlanır Kapı Sistemleri | Folding Door Systems  
Copyright: SARAY BLC.v2 | 10.2023

SARAY DÖKÜM ve MADENİ AKSAM SAN. TUR. A.Ş.